



Finishes You've Never Seen Before®

WESTERN STATES METAL ROOFING

(877) 787-5467 • WESTERNSTATESMETALROOFING.COM

T-8 PLANKWALL® RECLAIMED WOOD METAL SERIES

INSTALLATION GUIDE WITH TRIM, FLASHINGS AND DETAILS



4209-22



Phoenix: ☎ (602) 495-0048 ✉ sales@westernstatesmetalroofing.com | Washington: ☎ (509) 418-2833 ✉ washington-wsmr@westernstatesmetalroofing.com

Tucson: ☎ (520) 574-4247 ✉ tucsonsales@westernstatesmetalroofing.com | Texas: ☎ (972) 843-4343 ✉ texas-sales@westernstatesmetalroofing.com

Western States Metal Siding "T-8 PlankWall®" Panel

Installation, Flashings & Shop Drawing Detail Guide

Table of Contents

Section	Page
Notes to Designer /Installers.....	1
Key Wall Plan.....	2
Fastener Selection.....	3-4
Screw Fastener Notes.....	5
Panel Profile.....	6
Panel Perforations.....	7
Key Flashing / Trims.....	8-10
Soffit End Splice Detail.....	11
Wall/Soffit End Splice Detail.....	12
Soffit End Wall Detail.....	13
Alternate Soffit End Wall Detail.....	14
Soffit To Wall Drip Detail.....	15
Horizontal Siding End Wall Detail.....	16
Vertical Siding End Wall Detail.....	17
Parapet Wall Detail.....	18
Splice/Sill Detail.....	19
Base Detail.....	20
Door/Window Head Detail.....	21
Door/Window Jamb Detail.....	22
Door/Window Sill Detail.....	23
Outside Corner Detail.....	24
Inside Corner Detail	25
Custom Outside Corner Detail.....	26

Section	Page
Custom Inside Corner Detail.....	27
Soffit To Wall Horizontal Detail	28
Parapet Wall Horizontal Detail.....	29
Splice/Sill Horizontal Detail	30
Base Horizontal Detail.....	31
Door/Window Head Horizontal Detail.....	32
Door/Window Jamb Horizontal Detail.....	33
Door/Window Sill Horizontal Detail.....	34
Outside Corner Horizontal Detail.....	35
Inside Corner Horizontal Detail.....	36
Notes.....	37
Custom Trim.....	38
Special Design Considerations.....	39

Western States Metal Siding "T-8 PlankWall®" Panel

Installation, Flashings & Shop Drawing Detail Guide

Notes to Designer and Installers

The details contained in this guide are proven industry details and are intended to be used as a design aid and installation guide. It does not depict all situations that may be encountered on all projects. Modifications are the responsibility of the designer/ owner/ installer. Consideration should be given for fit for purpose, building use, climate conditions such as temperature, snow, wind, and moisture, governing building codes, and maintenance. It is highly recommended that all trims and flashings be of the same material as the panels (metal, gauge, finish) to ensure long term performance and durability. Where possible, flashing edges should be hemmed to strengthen the edge and protect the cut edge from exposure.

Framing and Substrates

"T-8 PlankWall®" panels are used over all type of substrates like steel framing, open purlins, spaced sheathing, and wood surface such as plywood. Most details in this guide are shown with panels attached to open framing.

Note on Underlayment

Not all conditions require an underlayment, however, metal siding is susceptible to condensation and it is recommended that an appropriate underlayment be use on all wood substrates to protect the structure during installation. For added protection from rain and snow, it is recommended to use rubberized ice and water shield.

Technical Assistance

Contact your WSMR sales or technical representative for any additional information or assistance.

Oil Canning

Oil canning is a condition common with flat metal surfaces. This waviness is caused by steel mill tolerances, forming, variations in the structures surfaces, and hardness of the steel. Measures are taken at the roll forming process, like profile design, steel gauge, corrective leveling, to minimize the effects of oil canning. Oil canning is a characteristic of steel and can not be eliminated totally and therefore is not reason for rejection of the panels.

Job Site Storage

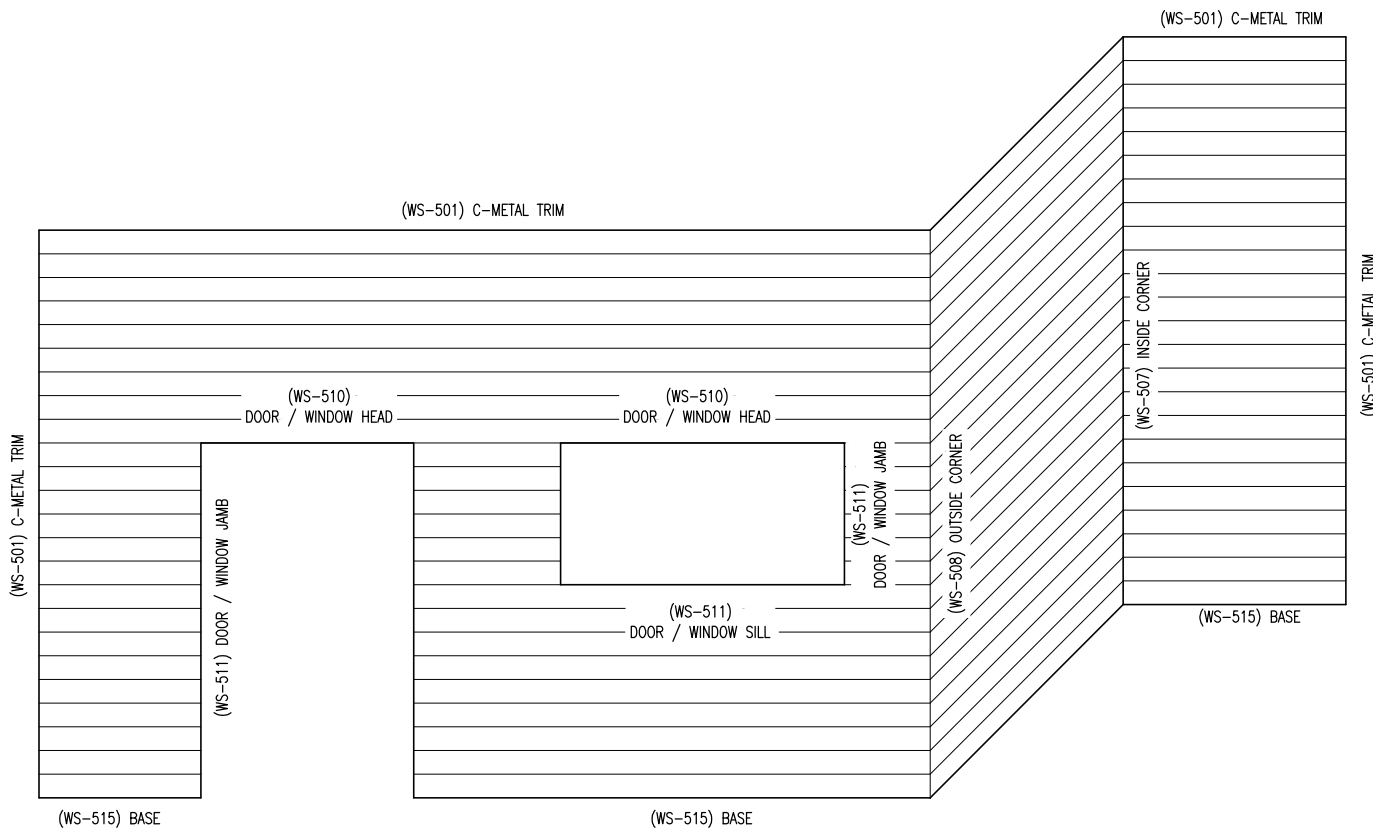
While waiting to be installed on the job site, storage of panels, trim crates, and flat sheet should be sloped in order to allow for proper moisture run off. One end should be elevated so as not to allow ponding of water on the metal surface. When using tarps for protection, proper ventilation should be provided to prevent condensation. Moisture or condensation that is trapped inside a bundle can lead to white rust on sheeting. WSMR assumes no responsibility of liability for damage to our products which occurs in the possession of the consignee or which we deem to be improper handling and storage. Protective plastic film on trim or panel should be removed within 90 days. Failure to follow these instructions may void the warranty.

References

For other installation techniques and details, The Sheet Metal and Air Conditioning Contractors National Association Inc. (SMACNA) and NRCA manuals are great resource for working with sheet metal.

Pattern

T-8 PlankWall® is a WSMR custom wall and soffit system. When installed using our 4-part pattern of Distressed Wood® colors, you will be able to get a unique look for each project. Every piece of T-8 PlankWall® will be marked with A, B, C, D color label. This will allow each customer to decide on how and where to install each pattern/piece to achieve your "unique" reclaimed look. WSMR will not be responsible for pattern design or install final look.



FLASHING TYPE	DETAIL NO.
STANDARD TRIM	WSD-ST5
STANDARD TRIM	WSD-ST6
SOFFIT END SPLICE	WSD-S1
WALL-SOFFIT END SPLICE	WSD-SW2
SOFFIT END WALL	WSD-S3
ALTERNATE SOFFIT END WALL	WSD-SW4
SOFFIT TO WALL DRIP	WSD-SW5
HORIZONTAL SIDING END WALL	WSD-W6
VERTICAL SIDING END WALL	WSD-W7
PARAPET WALL	WSD-W8
SPLICE SILL	WSD-W9
BASE	WSD-W10
WINDOW/DOOR HEAD	WSD-W11
WINDOW/DOOR JAMB	WSD-W12
WINDOW/DOOR SILL	WSD-W13
INSIDE CORNER	WSD-W14
CUSTOM OUTSIDE CORNER	WSD-W15
CUSTOM INSIDE CORNER	WSD-W16
SOFFIT TO WALL DRIP	WSD-W17
PARAPET WALL	WSD-W18
SPLICE-SILL DETAIL	WSD-W19
BASE DETAIL	WSD-W20
WINDOW/DOOR HEAD	WSD-W21
WINDOW/DOOR JAMB	WSD-W22
WINDOW/DOOR SILL	WSD-W24
OUTSIDE CORNER	WSD-W25
INSIDE CORNER	WSD-W26
NOTES	WWSD-N27
CUSTOM TRIM SHEET	WSD-CT28

Western States Metal Roofing

901 W. Watkins St.
 Phoenix, AZ 85007
www.MetalForRoofing.com
www.RustedRoofing.com
www.Paintedrustedroofing.com

Phone: (602) 495-0048
 Fax: (602) 261-7726
 877-PURLINS (787-5467)



DETAIL:

KEY WALL PLAN

PANEL TYPE:

T-8 PlankWall ®

A 02-02-19

REV: DATE:

DETAIL #:

Western States Metal Siding "T-8 PlankWall®" Panel

Installation, Flashings & Shop Drawing Detail Guide

Fastener Selection

Notes to Installers:

Fastener Selection will vary depending on type and thickness of substrate.

Design calculations for fastener spacing should be completed by the design engineer. The use of butyl tape mastic, butyl sealants and curing sealants is always recommended to insure weather tight installation.

Panels and flashings should never be installed in contact with dissimilar metals.

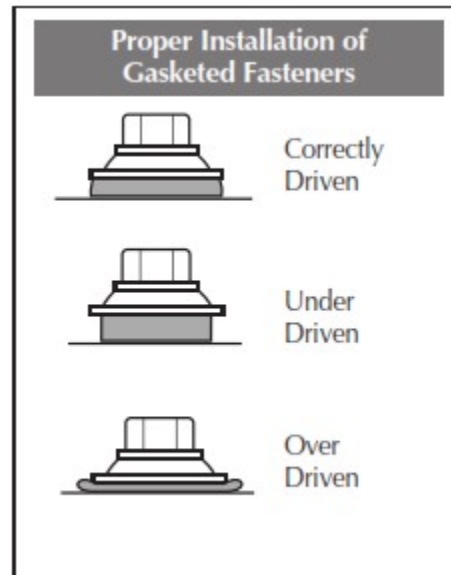
Use only those flashings and accessories designed for use with this panel.

Screws must be long enough to fully penetrate through roof deck substrate or penetrate solid lumber at least one inch.

Exposed trim fasteners should have sealing washers and be coated to provide protection against corrosion.

Screws must be properly driven to ensure holding strength and proper seal. (See diagram)


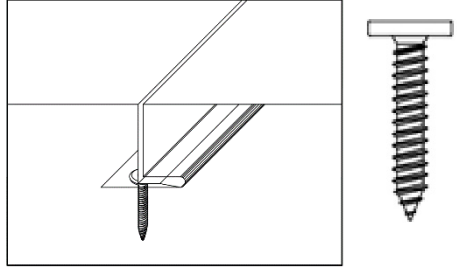

Recommended drill speed is 2000rpm. Improper setting of drill speed can lead to snapping of screw heads. Pre drilling of screw holes may be necessary with heavy gauge metals.



Western States Metal Siding "T-8 PlankWall®" Panel

Installation, Flashings & Shop Drawing Detail Guide

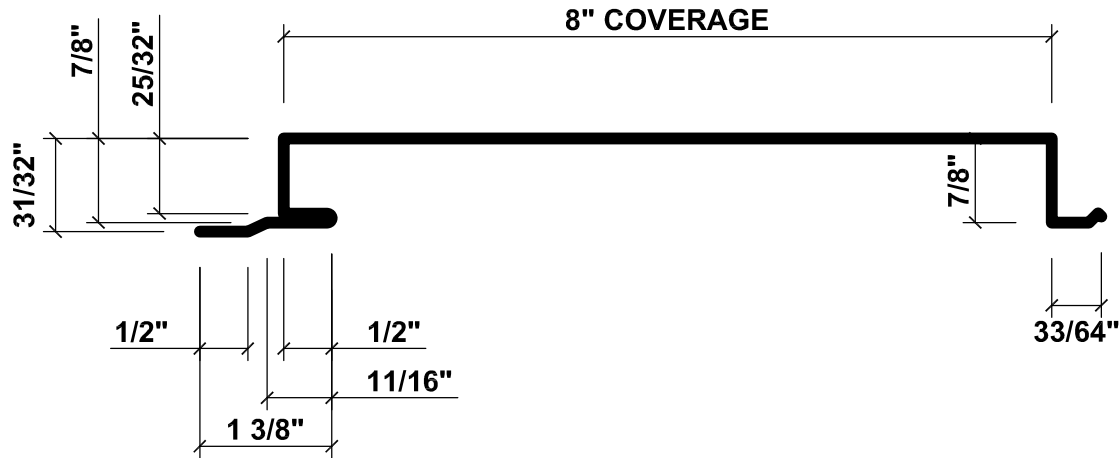
Fastener Selection

Description	Application	
14 x 7/8" Lap Self tap	Used for Trim to Trim Attachment or Trim to Wall Panels.	
#10-12 x1" Pancake head Wood #10-12x1" SD PH Self Driller Steel	Used to Attach Panel	
1/8" Stainless Rivets	Used for Trim to Trim Attachment or Trim to Wall Panels.	

The table above shows the panel fasteners provided by WSD. Special order screws are available.

WSMR will not be responsible for final screw selection. This guide is just a reference tool to be used. Please consult a design engineer for load and design calculations.

T-8 PLANKWALL ®



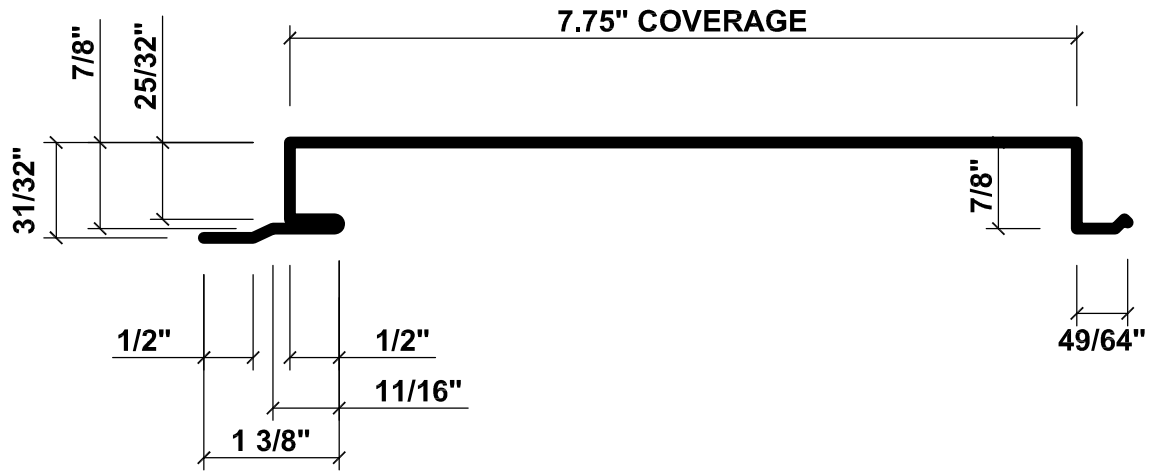
GAUGE: _____	COLOR: _____
LENGTH: _____	FINISH: _____
MATERIAL: _____	

Western States Metal Roofing

901 W. Watkins St. Phone: (602) 495-0048
 Phoenix, AZ 85007 Fax: (602) 261-7726
 www.MetalForRoofing.com 877-PURLINS (787-5467)
 www.RustedRoofing.com
 www.Paintedrustedroofing.com

PANEL PROFILE		
	A	02-02-19
PANEL TYPE: T-8 PlankWall ®	REV:	DATE:
DETAIL #:		

T-8 PLANKWALL® - 7.75" REVEAL



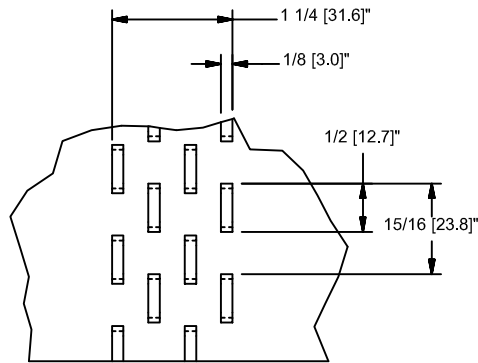
GAUGE: _____	COLOR: _____
LENGTH: _____	FINISH: _____
MATERIAL: _____	

Western States Metal Roofing

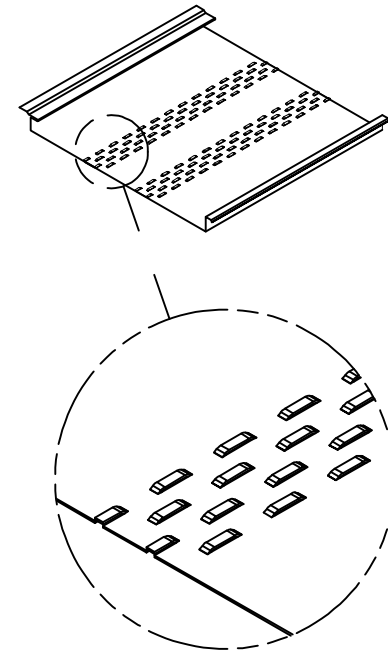
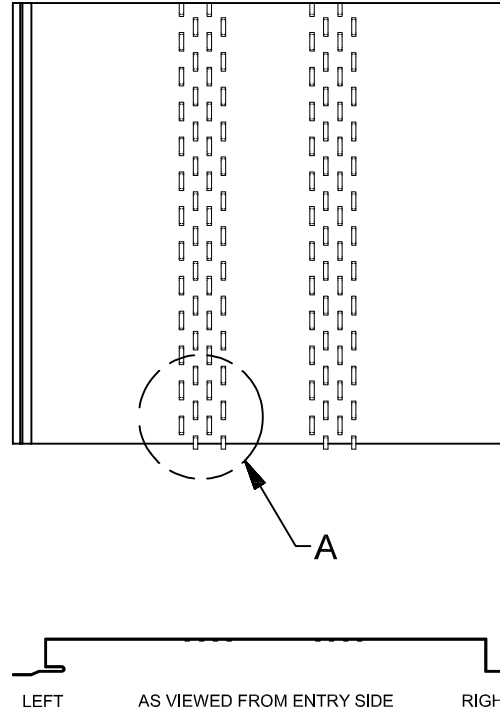
901 W. Watkins St.
 Phoenix, AZ 85007
www.MetalForRoofing.com
www.RustedRoofing.com
www.Paintedrustedroofing.com

Phone: (602) 495-0048
 Fax: (602) 261-7726
 877-PURLINS (787-5467)

REVEAL PANEL PROFILE		
	A	02-02-19
PANEL TYPE: T-8 PlankWall®	REV:	DATE:
	DETAIL #:	



DETAIL A



- NOTES:
1. MATERIAL USAGE APPROXIMATELY: 5" [127 mm]
 2. WHEN USING PERFORATOR:
MAXIMUM NET FREE AREA = 3.08
SQUARE INCHES PER 12 INCHES
OF PERFORATION
[1987 sq. mm / 304.8 mm]
 3. MAXIMUM OF TWO PERFORATIONS
PER PANEL.
 4. DUAL DIMENSIONS: Inch [mm]

OPENING SIZE .50 [12.7] X .12 [3.0] = .06 SQ. IN. [38.7 sq. mm]
 OPENINGS PER 12 INCH LENGTH [304.8 mm] = 51.25
 NET FREE AREA / 12 INCH = .06 SQ IN X 51.25 = 3.08 SQ IN.
 [net free area / 304.8 mm = 38.7 sq. mm X 51.25 = 1983 sq. mm]

GAUGE: _____	COLOR: _____
LENGTH: _____	FINISH: _____
MATERIAL: _____	
PERFORATED	A 02-02-19
	REV: DATE:
PANEL TYPE: T-8 PlankWall ®	DETAIL #:

Western States Metal Roofing

901 W. Watkins St.

Phone: (602) 495-0048

Phoenix, AZ 85007

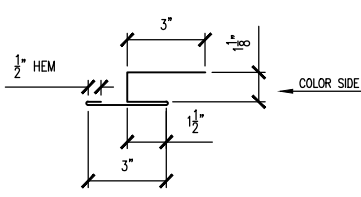
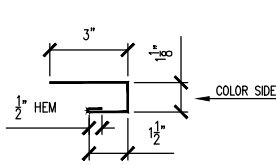
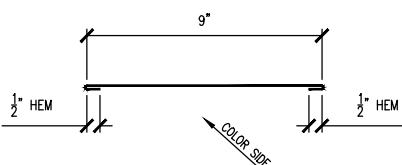
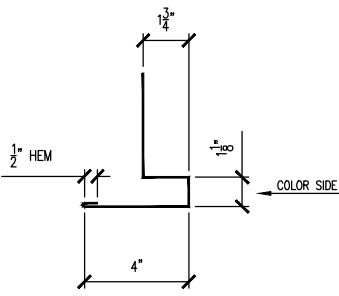
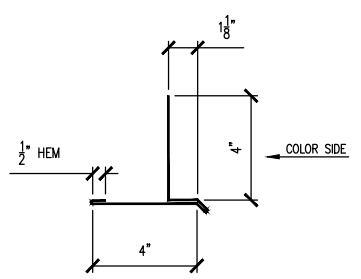
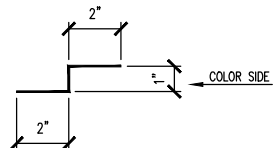
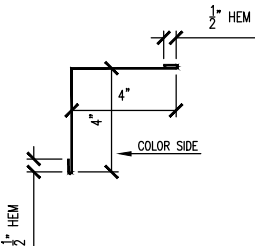
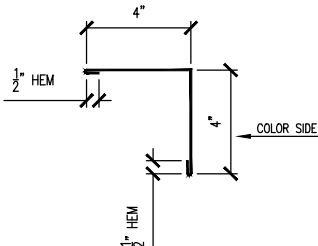
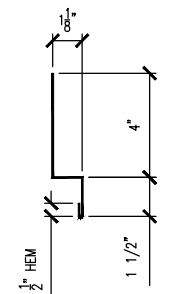
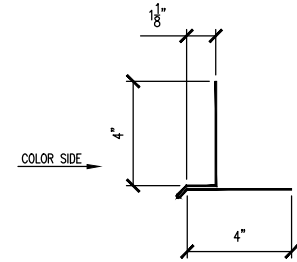
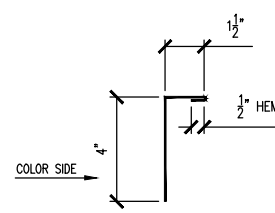
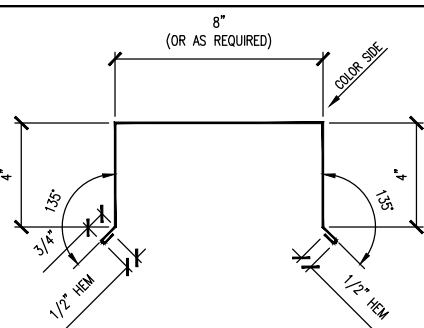
Fax: (602) 261-7726

www.MetalForRoofing.com

877-PURLINS (787-5467)

www.RustedRoofing.com

www.PaintedRustedRoofing.com

<p>END SPLICE WS-500</p> 	<p>C METAL (J-TRIM) WS-501</p> 	<p>REVEAL FLASHING WS-502</p> 	<p>SILL DRIP TRIM WS-504</p> 
<p>ALTERNATE SILL DRIP TRIM WS-505</p> 	<p>Z METAL TRIM WS-506</p> 	<p>INSIDE CORNER TRIM WS-507</p> 	<p>OUTSIDE CORNER TRIM WS-508</p> 
<p>TRANSITION/SILL TRIM WS-509</p> 	<p>DOOR/WINDOW HEAD TRIM WS-510</p> 	<p>DOOR/WINDOW JAMB TRIM WS-511</p> 	<p>PARAPET CAP WS-512</p> 

Western States Metal Roofing

901 W. Watkins St.
 Phoenix, AZ 85007
www.MetalForRoofing.com
www.RustedRoofing.com
www.PaintedRustedRoofing.com

Phone: (602) 495-0048
 Fax: (602) 261-7726
 877-PURLINS (787-5467)

STANDARD TRIM

PANEL TYPE:

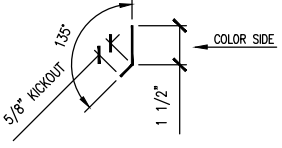
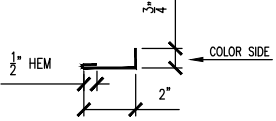
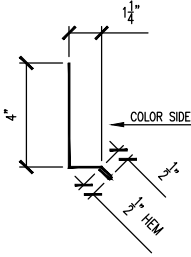
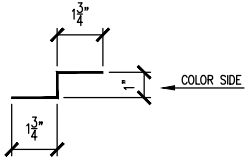
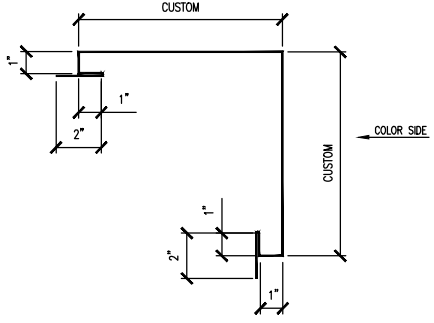
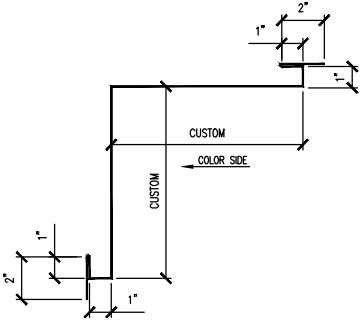
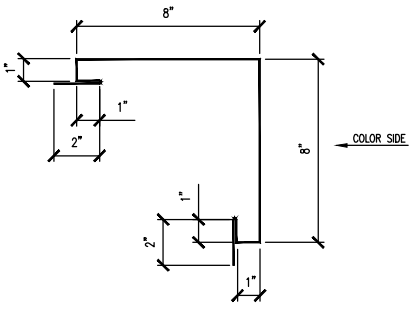
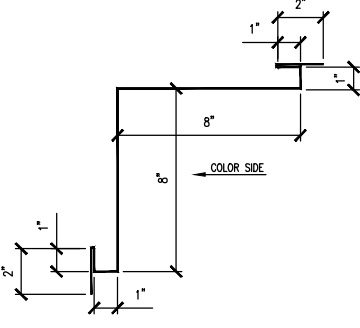
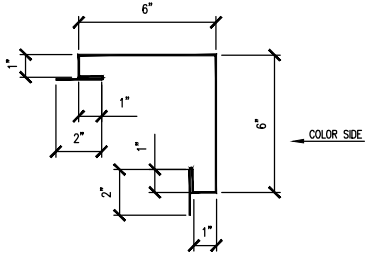
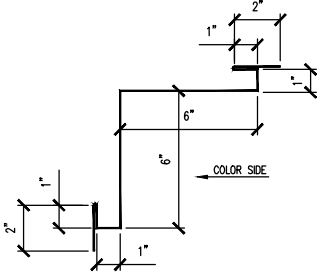
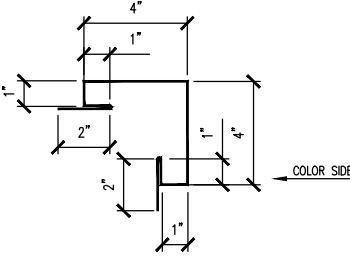
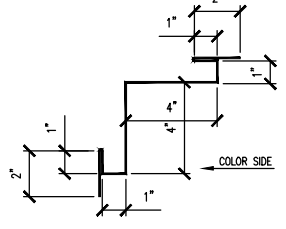
T-8 PlankWall ®

A 02-02-19

REV: DATE:

DETAIL #:

T8-WSD-ST5

<p>TRIM CLEAT WS-513</p> 	<p>ALTERNATE WALL TRIM WS-514</p> 	<p>BASE TRIM WS-515</p> 	<p>Z METAL TRIM (SMALL) WS-516</p> 
<p>CUSTOM OUTSIDE CORNER WS-517</p> 	<p>CUSTOM INSIDE CORNER WS-518</p> 	<p>CUSTOM OUTSIDE CORNER WS-519</p> 	<p>CUSTOM INSIDE CORNER WS-520</p> 
<p>CUSTOM OUTSIDE CORNER WS-521</p> 	<p>CUSTOM INSIDE CORNER WS-522</p> 	<p>CUSTOM OUTSIDE CORNER WS-523</p> 	<p>CUSTOM INSIDE CORNER WS-524</p> 

Western States Metal Roofing

901 W. Watkins St. Phone: (602) 495-0048
 Phoenix, AZ 85007 Fax: (602) 261-7726
 www.MetalForRoofing.com 877-PURLINS (787-5467)
 www.RustedRoofing.com
 www.PaintedRustedRoofing.com

STANDARD TRIM

PANEL TYPE:
T-8 PlankWall ®

A	02-02-19
REV:	DATE:
DETAIL #:	T8-WSD-ST6

OUTSIDE CORNER WS-525	OUTSIDE CORNER WS-526	INSIDE CORNER WS-527	INSIDE CORNER WS-528

Western States Metal Roofing

901 W. Watkins St.

Phone: (602) 495-0048

Phoenix, AZ 85007

Fax: (602) 261-7726

www.MetalForRoofing.com

877-PURLINS (787-5467)

www.RustedRoofing.com

www.PaintedRustedRoofing.com

STANDARD TRIM

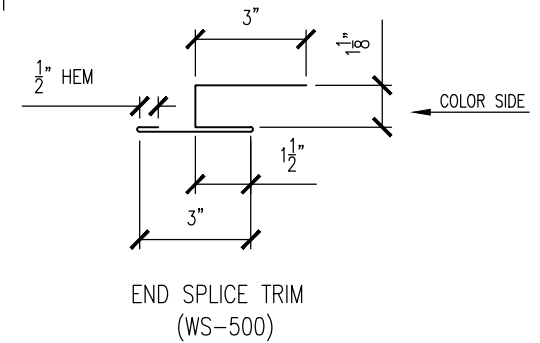
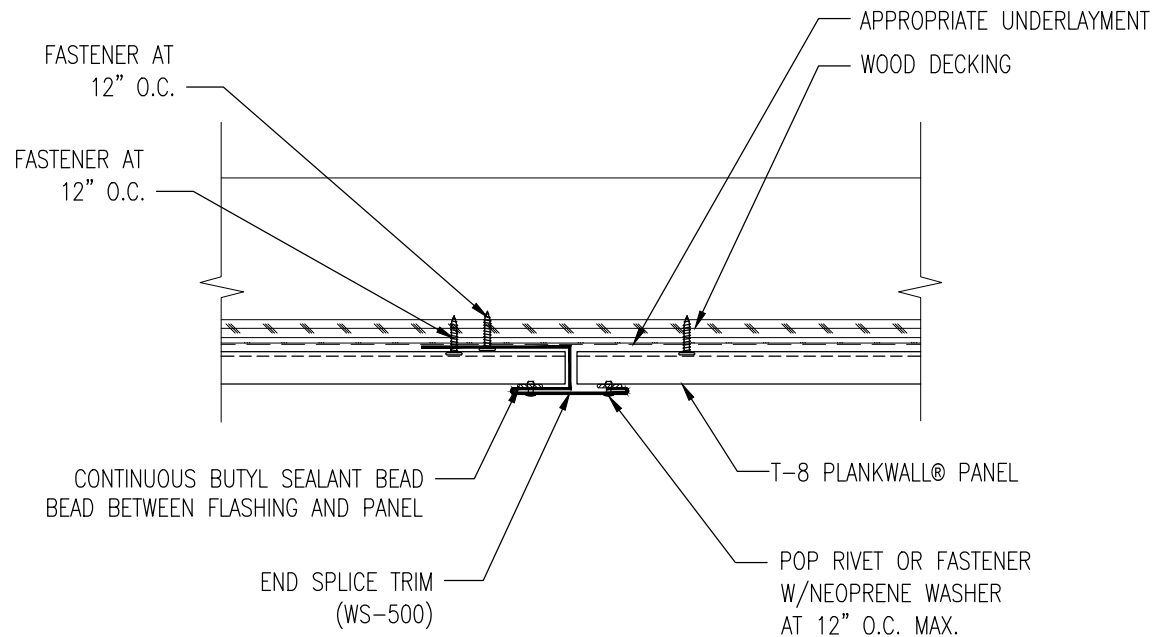
PANEL TYPE:

T-8 PlankWall ®

A 02-02-19

REV: DATE:

DETAIL #:
T8-WSD-ST7



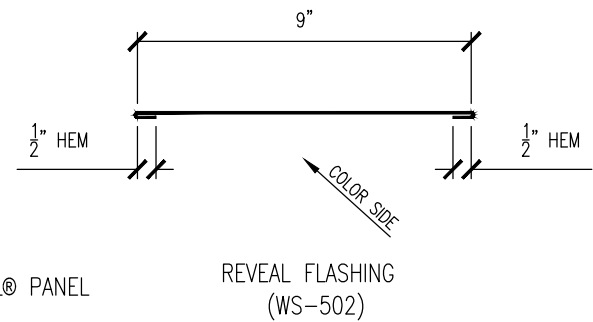
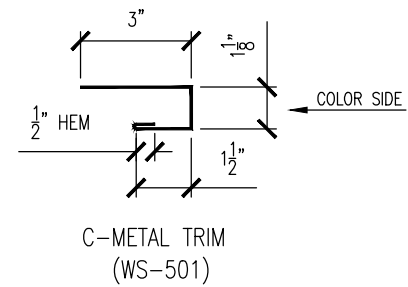
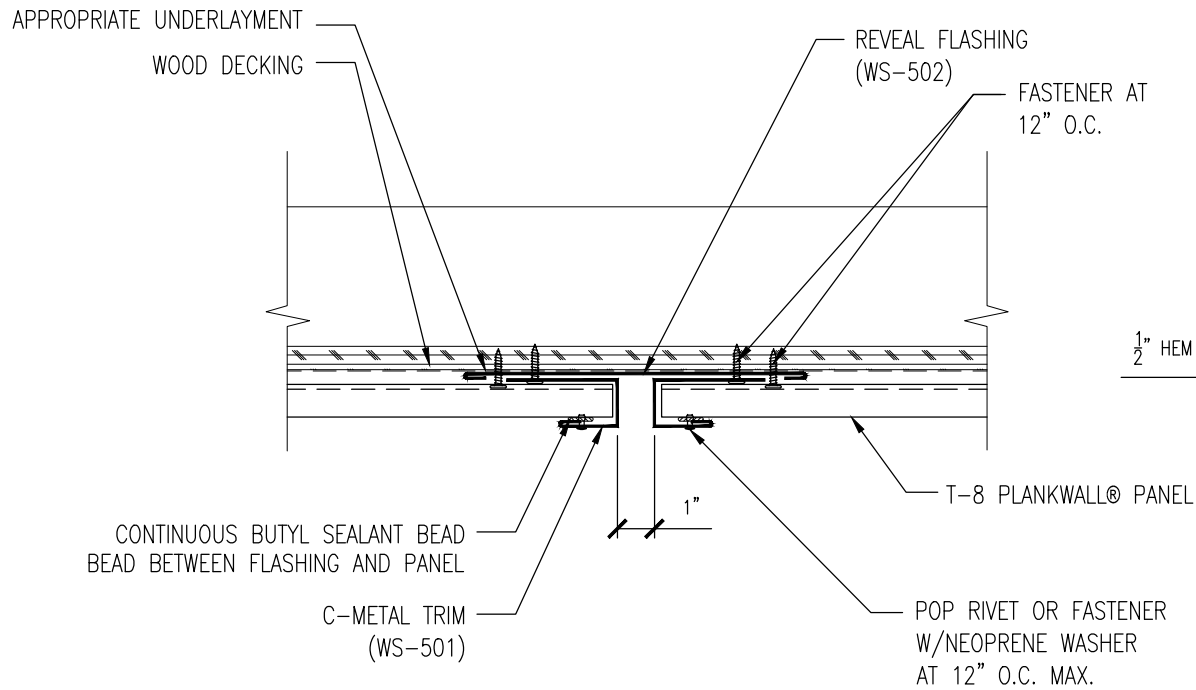
GAUGE: _____	COLOR: _____
LENGTH: _____	FINISH: _____
MATERIAL: _____	

Western States Metal Roofing

901 W. Watkins St.
 Phoenix, AZ 85007
www.MetalForRoofing.com
www.RustedRoofing.com
www.PaintedRustedRoofing.com

Phone: (602) 495-0048
 Fax: (602) 261-7726
 877-PURLINS (787-5467)

SOFFIT END SPLICE DETAIL		
	A	02-02-19
PANEL TYPE: T-8 PlankWall ®	REV:	DATE:
	DETAIL #: T8-WSD-S1	



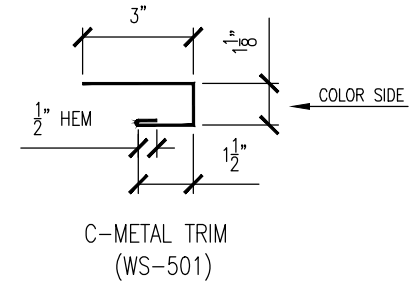
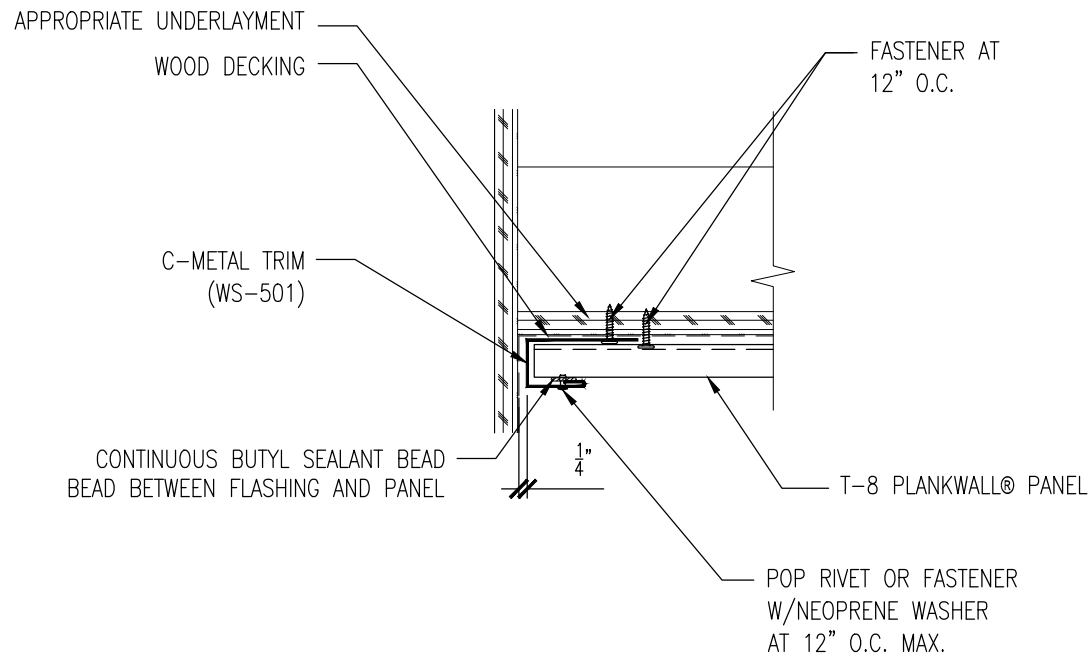
HORIZONTAL WALL INSTALL

GAUGE: _____	COLOR: _____
LENGTH: _____	FINISH: _____
MATERIAL: _____	

Western States Metal Roofing

901 W. Watkins St. Phone: (602) 495-0048
 Phoenix, AZ 85007 Fax: (602) 261-7726
 www.MetalForRoofing.com 877-PURLINS (787-5467)
 www.RustedRoofing.com
 www.PaintedRustedRoofing.com

WALL/SOFFIT END SPLICE DETAIL		
	A	02-02-19
PANEL TYPE: T-8 PlankWall ®	REV:	DATE:
	DETAIL #: T8-WSD-SW2	



GAUGE: _____	COLOR: _____
LENGTH: _____	FINISH: _____
MATERIAL: _____	

Western States Metal Roofing

901 W. Watkins St.

Phone: (602) 495-0048

Phoenix, AZ 85007

Fax: (602) 261-7726

www.MetalForRoofing.com

877-PURLINS (787-5467)

www.RustedRoofing.com

www.PaintedRustedRoofing.com

SOFFIT END WALL DETAIL

PANEL TYPE:

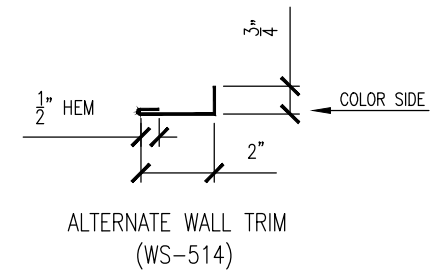
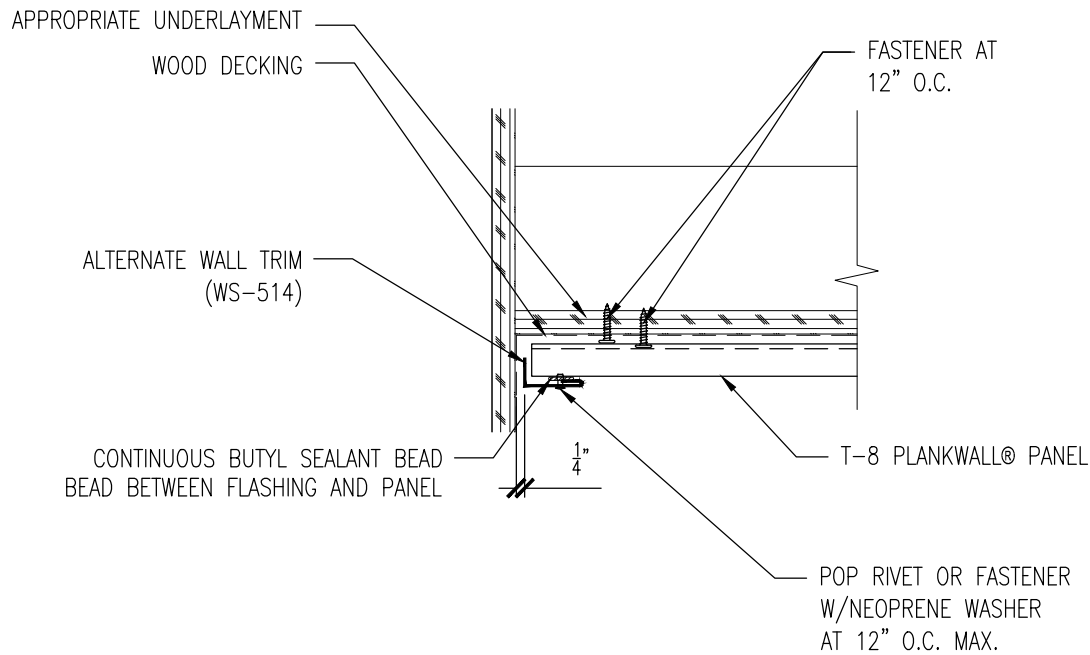
T-8 PlankWall ®

A 02-02-19

REV: DATE:

DETAIL #:

T8-WSD-S3



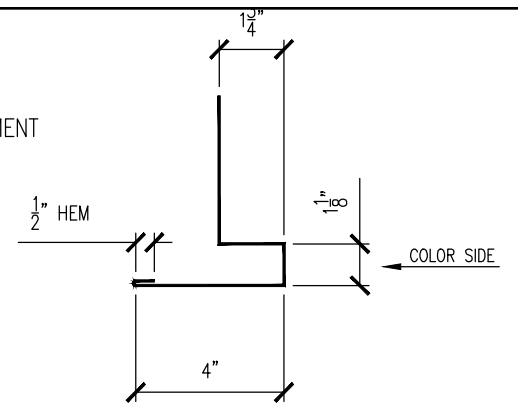
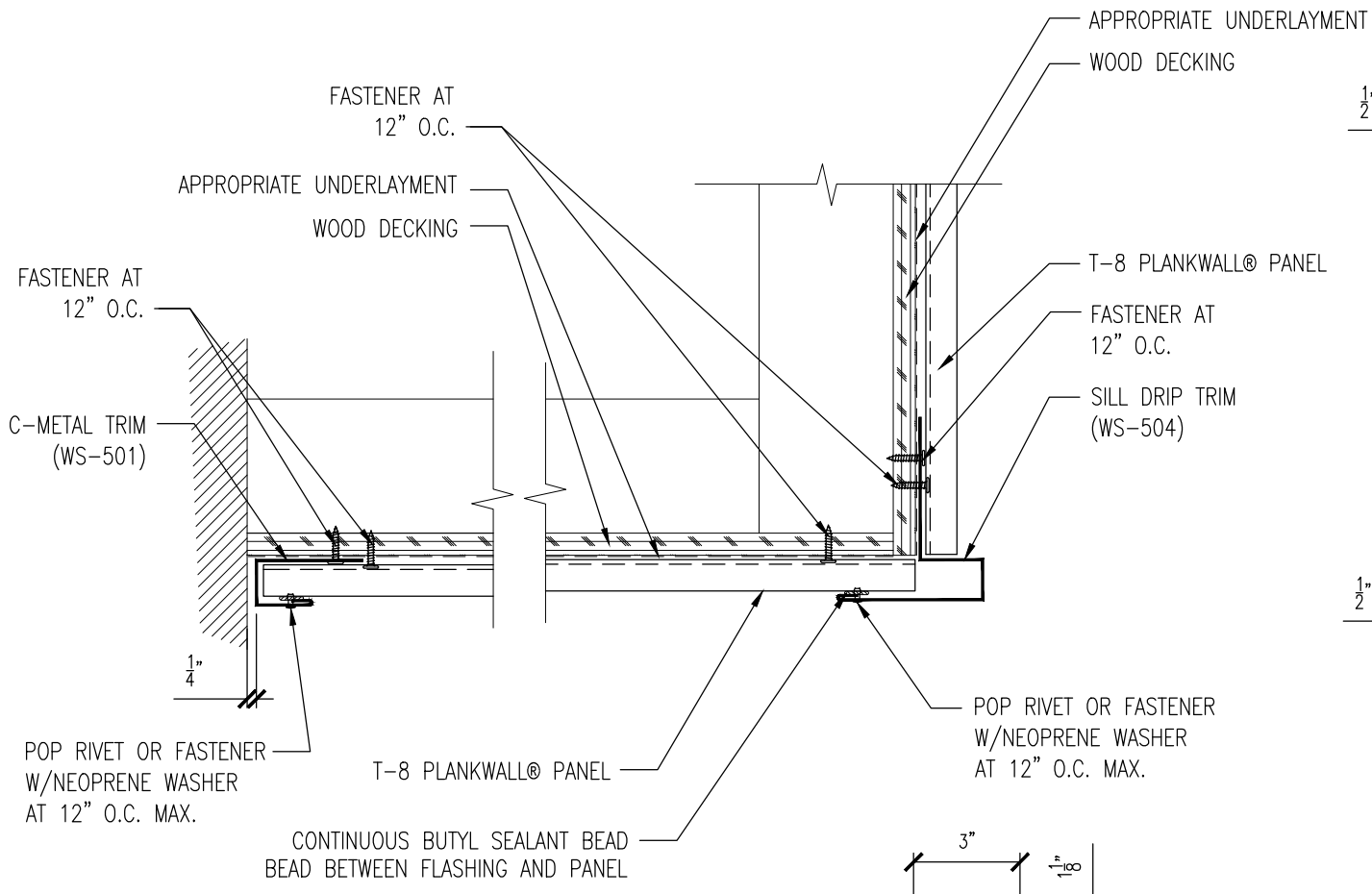
Western States Metal Roofing

901 W. Watkins St.
 Phoenix, AZ 85007
www.MetalForRoofing.com
www.RustedRoofing.com
www.Paintedtrustedroofing.com

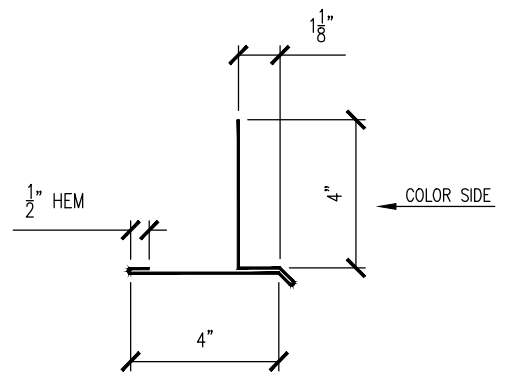
Phone: (602) 495-0048
 Fax: (602) 261-7726
 877-PURLINS (787-5467)

GAUGE: _____	COLOR: _____
LENGTH: _____	FINISH: _____
MATERIAL: _____	

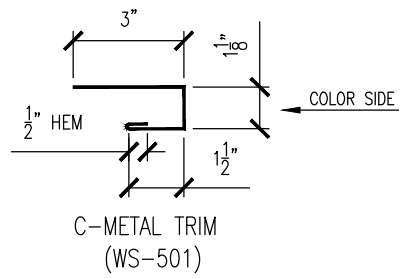
ALTERNATE SOFFIT END WALL DETAIL		
	A	02-02-19
PANEL TYPE: T-8 PlankWall ®	REV:	DATE:
	DETAIL #: T8-WSD-SW4	



SILL DRIP TRIM (WS-504)



ALTERNATE SILL DRIP TRIM (WS-505)



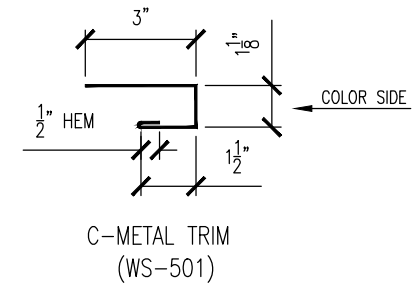
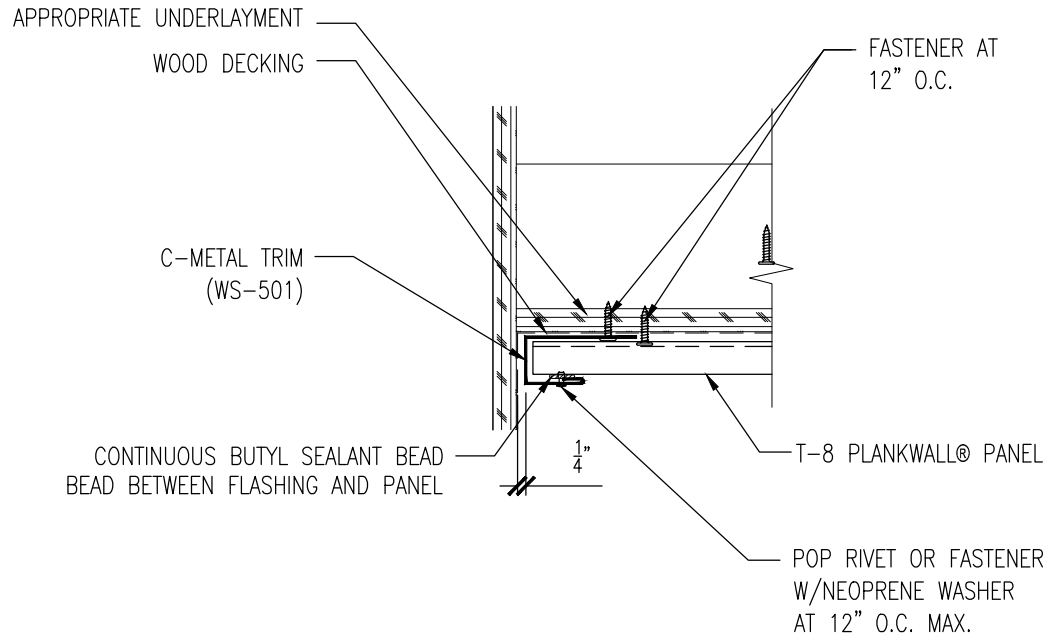
C-METAL TRIM (WS-501)

GAUGE: _____	COLOR: _____
LENGTH: _____	FINISH: _____
MATERIAL: _____	

Western States Metal Roofing

901 W. Watkins St. Phone: (602) 495-0048
 Phoenix, AZ 85007 Fax: (602) 261-7726
 www.MetalForRoofing.com 877-PURLINS (787-5467)
 www.RustedRoofing.com
 www.PaintedRustedRoofing.com

SOFFIT TO WALL DRIP DETAIL	A	02-02-19
	REV:	DATE:
PANEL TYPE: T-8 PlankWall ®	DETAIL #: T8-WSD-SW5	



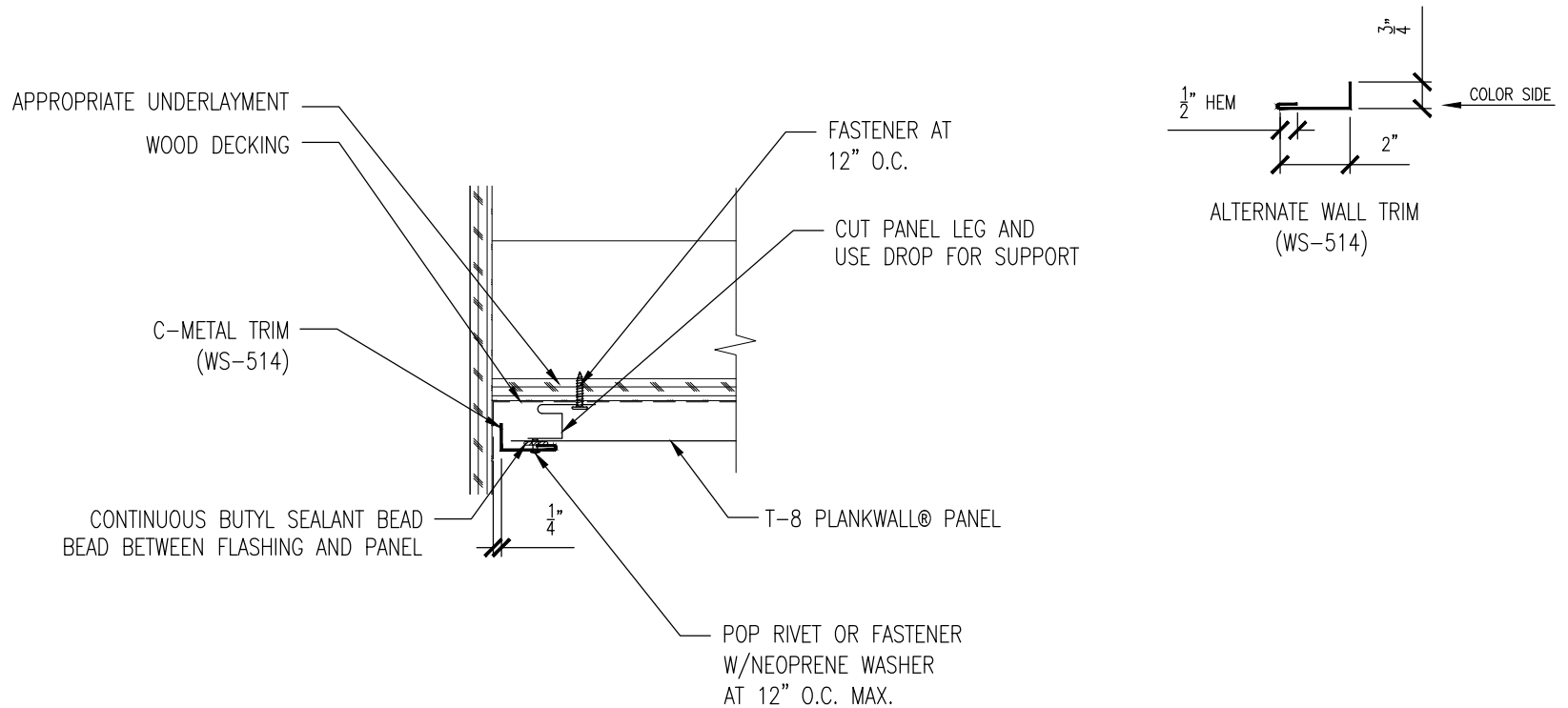
GAUGE: _____	COLOR: _____
LENGTH: _____	FINISH: _____
MATERIAL: _____	

Western States Metal Roofing

901 W. Watkins St.
 Phoenix, AZ 85007
www.MetalForRoofing.com
www.RustedRoofing.com
www.PaintedRustedRoofing.com

Phone: (602) 495-0048
 Fax: (602) 261-7726
 877-PURLINS (787-5467)

HORIZONTAL SIDING END WALL DETAIL		
	A	02-02-19
PANEL TYPE: T-8 PlankWall ®	REV:	DATE:
	DETAIL #: T8-WSD-W6	



GAUGE: _____	COLOR: _____
LENGTH: _____	FINISH: _____
MATERIAL: _____	

Western States Metal Roofing

901 W. Watkins St.
 Phoenix, AZ 85007
www.MetalForRoofing.com
www.RustedRoofing.com
www.PaintedRustedRoofing.com

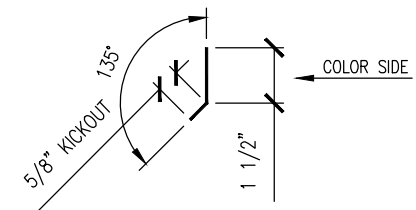
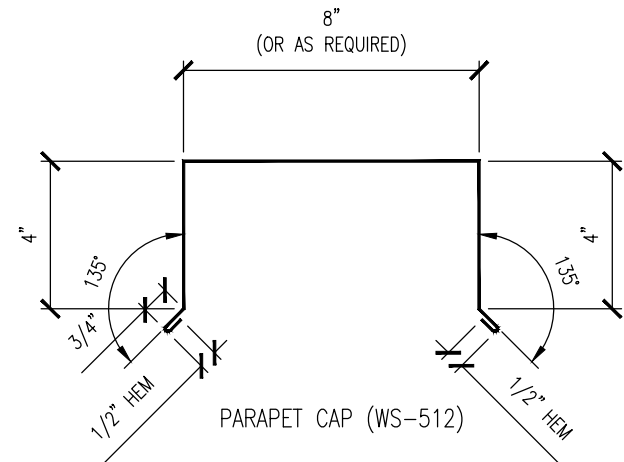
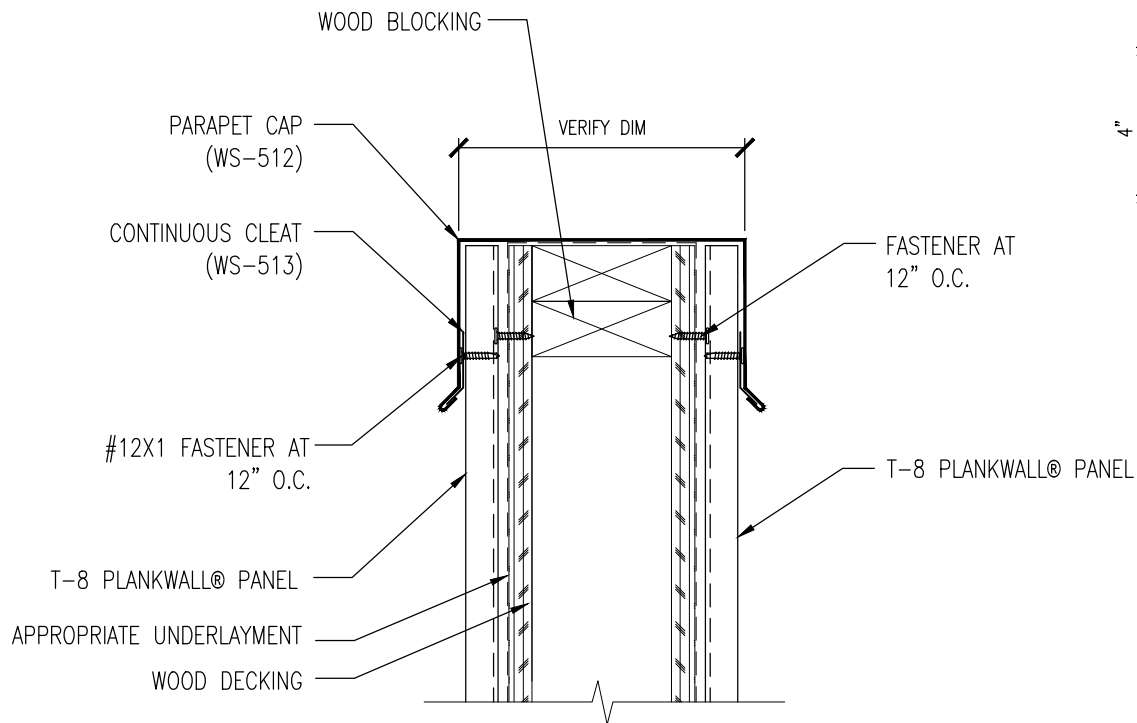
Phone: (602) 495-0048
 Fax: (602) 261-7726
 877-PURLINS (787-5467)

VERTICAL SIDING END WALL DETAIL

PANEL TYPE:

T-8 PlankWall ®

A	02-02-19
REV:	DATE:
DETAIL #: T8-WSD-SW7	



CONTINUOUS CLEAT (WS-513)

VERTICAL WALL INSTALL

GAUGE: _____	COLOR: _____
LENGTH: _____	FINISH: _____
MATERIAL: _____	

Western States Metal Roofing

901 W. Watkins St.

Phone: (602) 495-0048

Phoenix, AZ 85007

Fax: (602) 261-7726

www.MetalForRoofing.com

877-PURLINS (787-5467)

www.RustedRoofing.com

www.PaintedRustedRoofing.com

**PARAPET WALL
DETAIL**

PANEL TYPE:

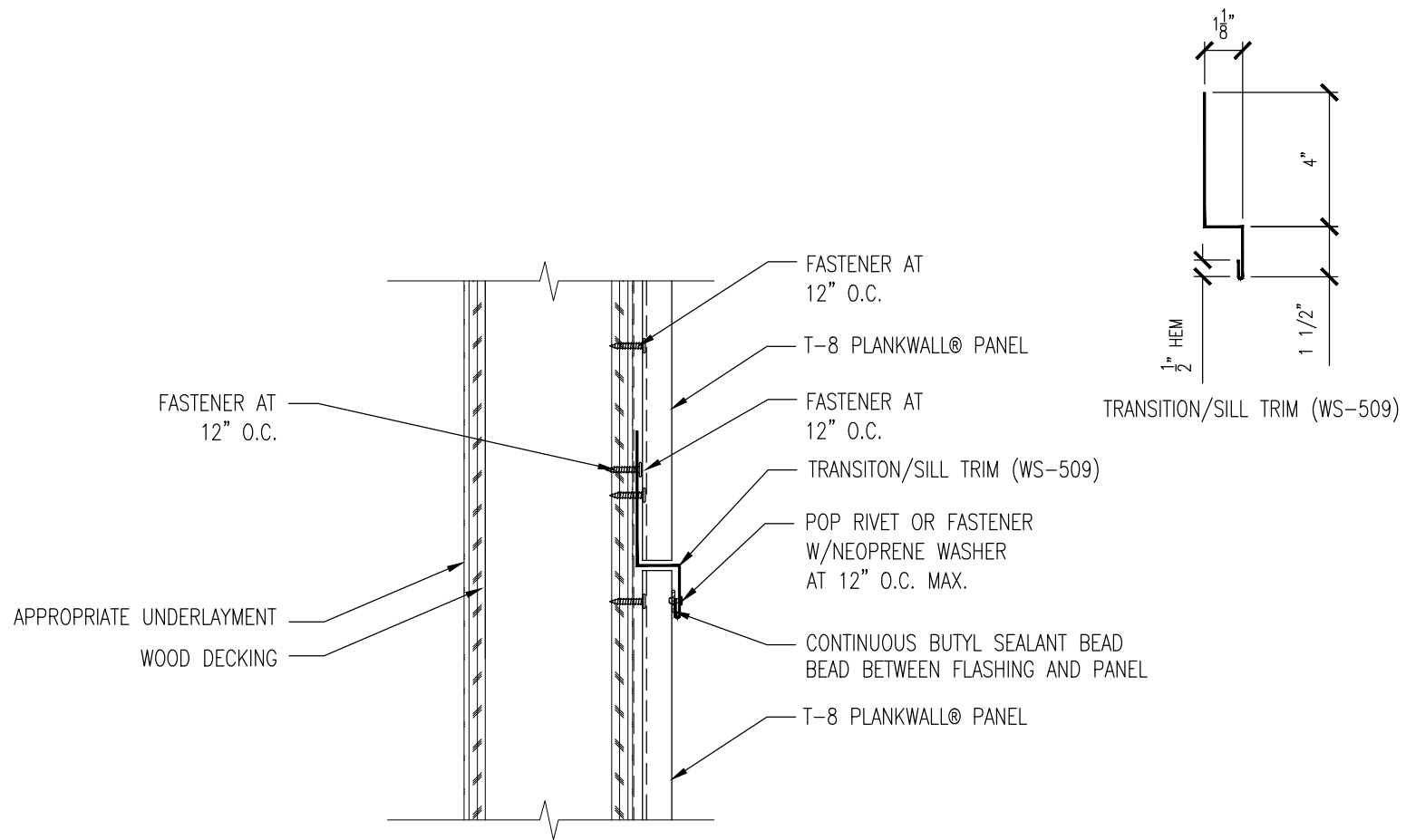
T-8 PlankWall ®

A 02-02-19

REV: DATE:

DETAIL #:

T8-WSD-W8



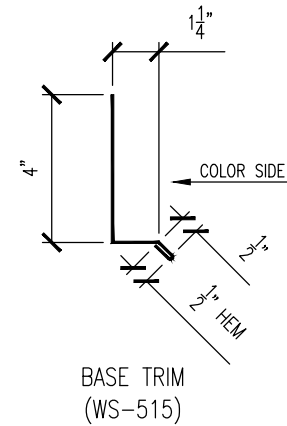
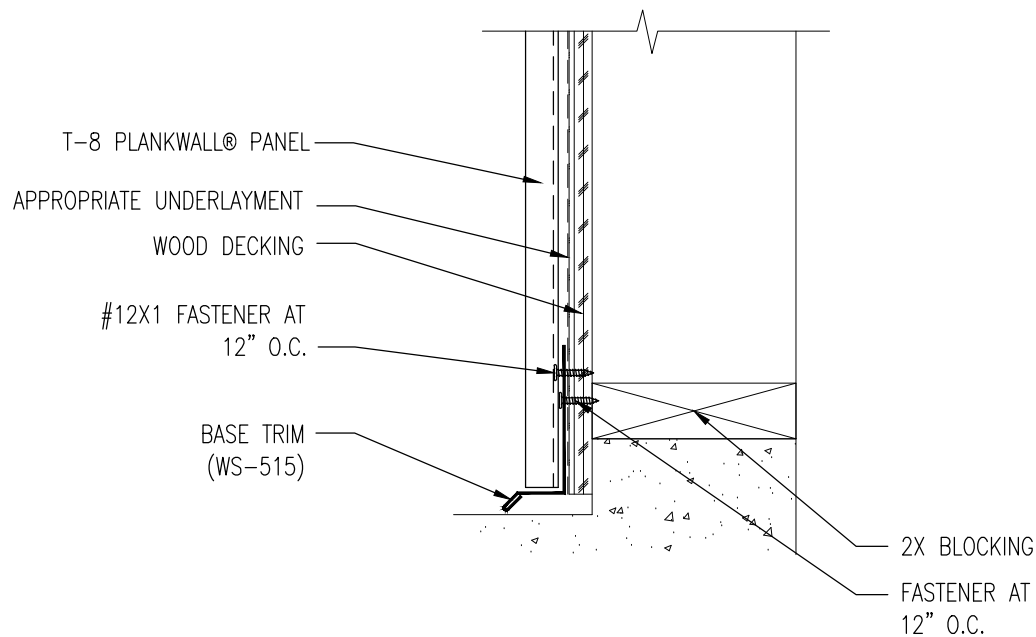
VERTICAL WALL INSTALL

GAUGE: _____		COLOR: _____		
LENGTH: _____		FINISH: _____		
MATERIAL: _____				
SPLICE/SILL DETAIL				
			A	02-02-19
PANEL TYPE: T-8 PlankWall ®			REV:	DATE:
			DETAIL #: T8-WSD-W9	

Western States Metal Roofing

901 W. Watkins St.
 Phoenix, AZ 85007
www.MetalForRoofing.com
www.RustedRoofing.com
www.PaintedRustedRoofing.com

Phone: (602) 495-0048
 Fax: (602) 261-7726
 877-PURLINS (787-5467)



GAUGE: _____	COLOR: _____
LENGTH: _____	FINISH: _____
MATERIAL: _____	

Western States Metal Roofing

901 W. Watkins St.

Phone: (602) 495-0048

Phoenix, AZ 85007

Fax: (602) 261-7726

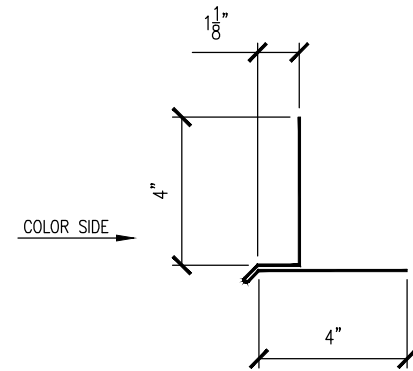
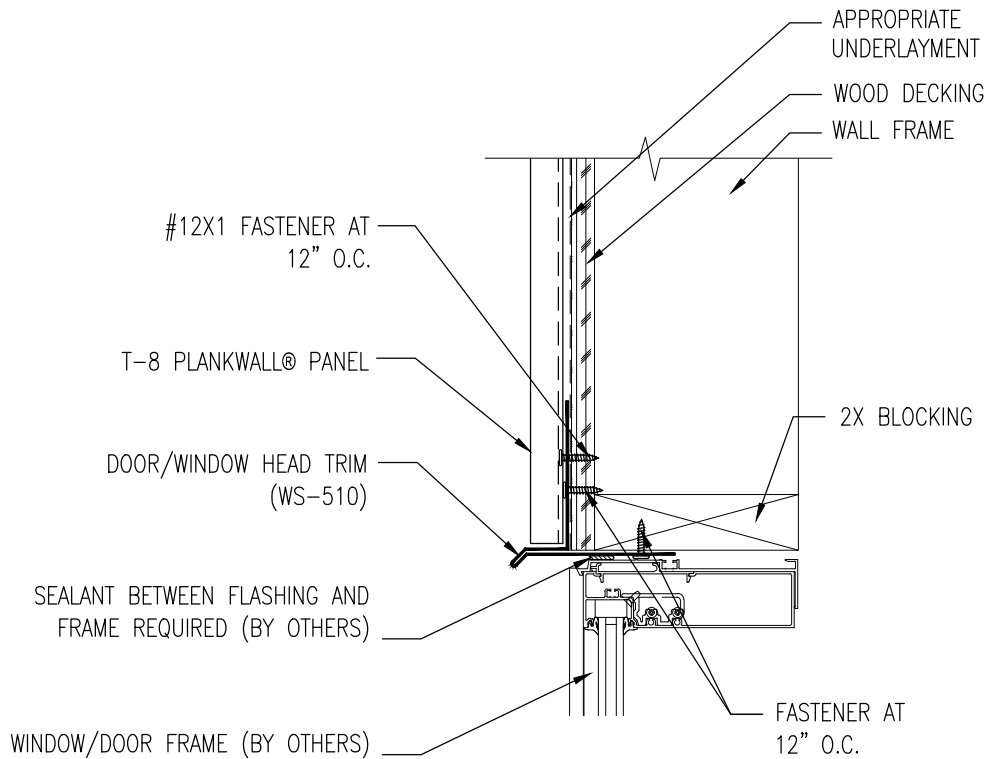
www.MetalForRoofing.com

877-PURLINS (787-5467)

www.RustedRoofing.com

www.PaintedRustedRoofing.com

BASE DETAIL		
	A	02-02-19
PANEL TYPE: T-8 PlankWall ®	REV:	DATE:
	DETAIL #: T8-WSD-W10	



DOOR/WINDOW HEAD TRIM (WS-510)

VERTICAL WALL INSTALL

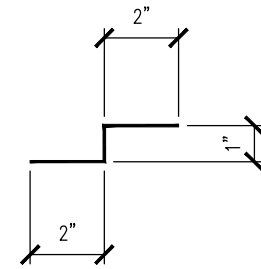
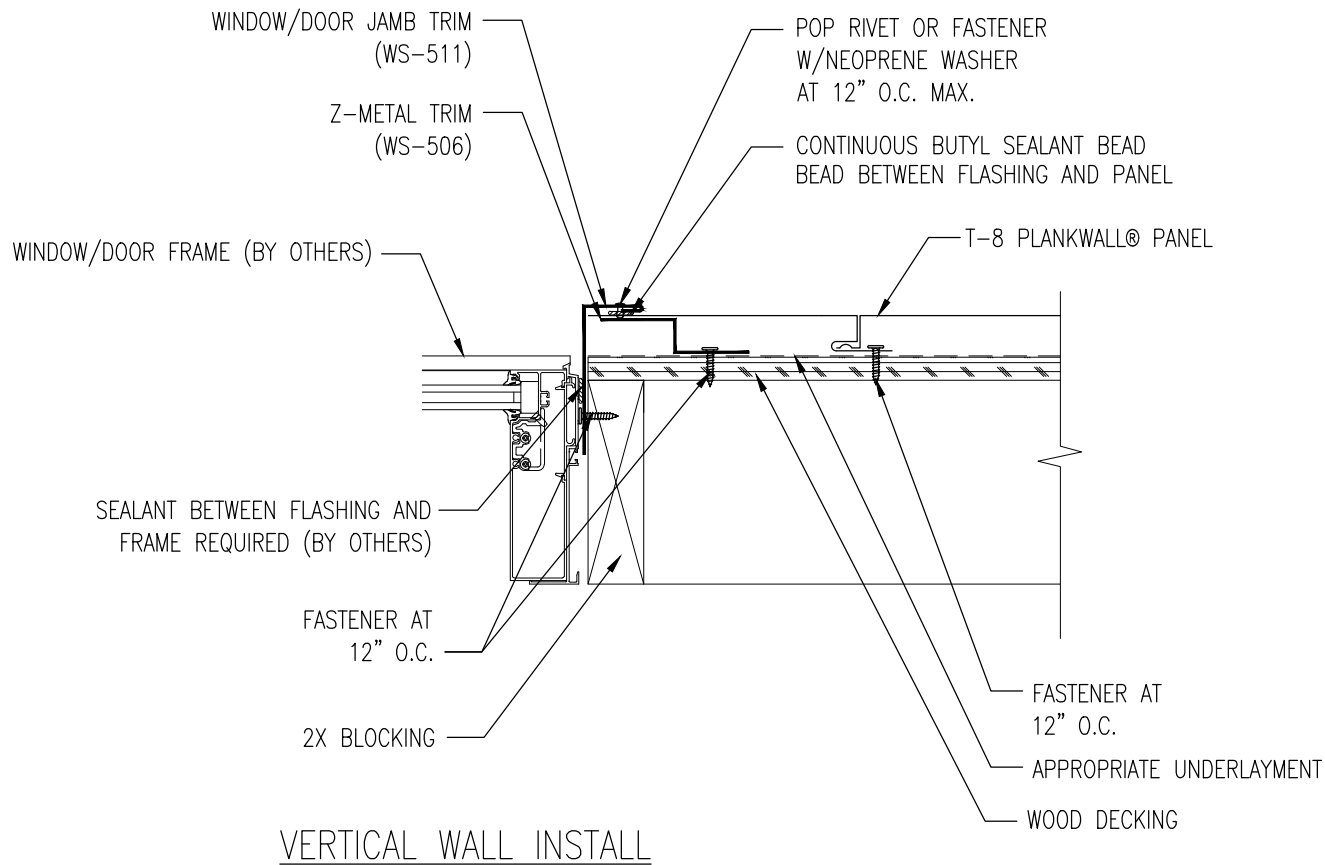
GAUGE: _____	COLOR: _____
LENGTH: _____	FINISH: _____
MATERIAL: _____	

Western States Metal Roofing

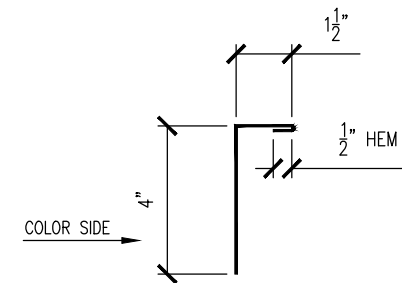
901 W. Watkins St.
 Phoenix, AZ 85007
www.MetalForRoofing.com
www.RustedRoofing.com
www.PaintedRustedRoofing.com

Phone: (602) 495-0048
 Fax: (602) 261-7726
 877-PURLINS (787-5467)

DOOR/WINDOW HEAD DETAIL		
	A	02-02-19
PANEL TYPE: T-8 PlankWall ®	REV:	DATE:
	DETAIL #: T8-WSD-W11	



Z-METAL TRIM
(WS-506)



WINDOW/DOOR JAMB TRIM
(WS-511)

GAUGE: _____	COLOR: _____
LENGTH: _____	FINISH: _____
MATERIAL: _____	

Western States Metal Roofing

901 W. Watkins St.

Phone: (602) 495-0048

Phoenix, AZ 85007

Fax: (602) 261-7726

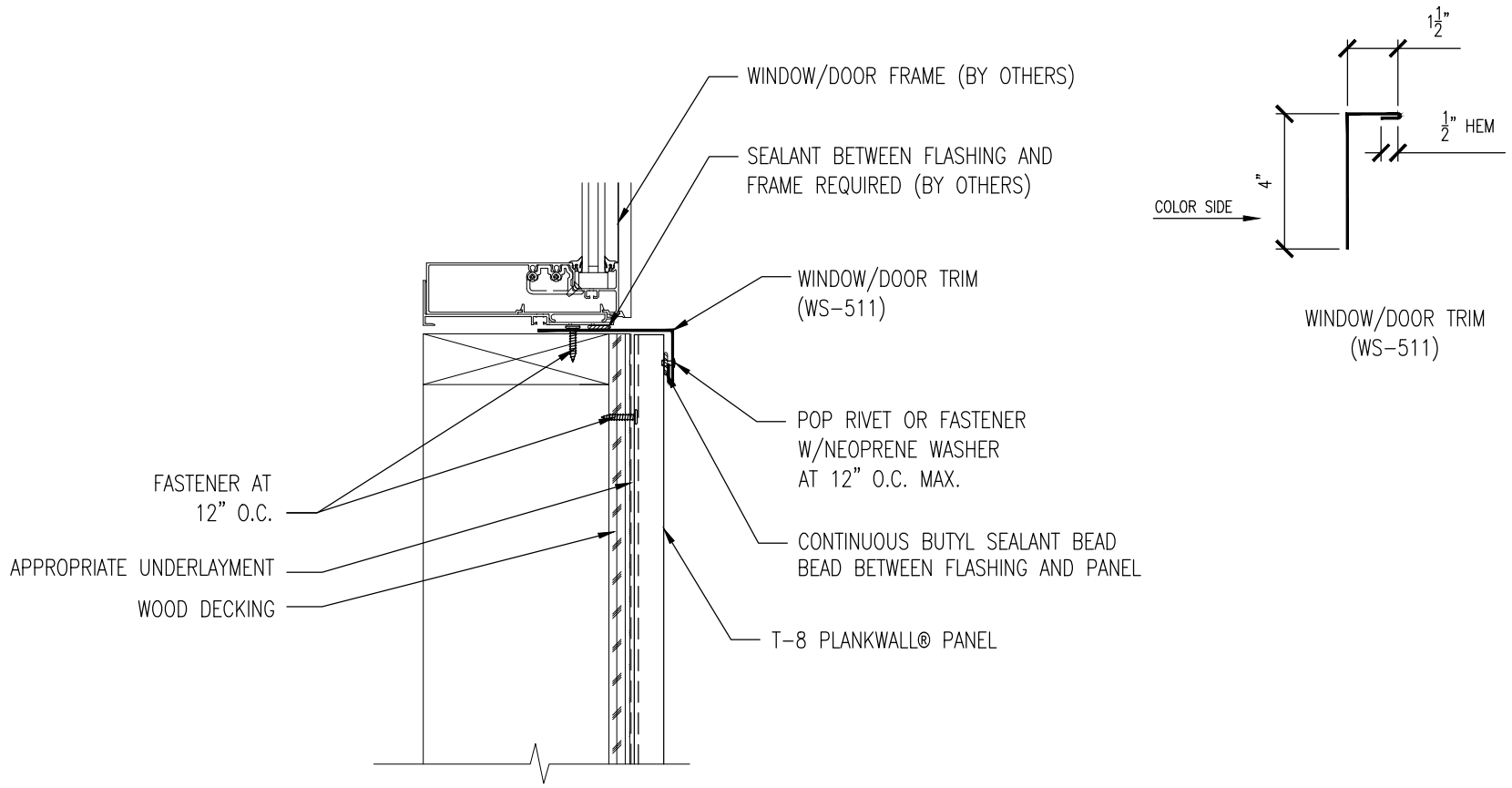
www.MetalForRoofing.com

877-PURLINS (787-5467)

www.RustedRoofing.com

www.PaintedRustedRoofing.com

WINDOW/DOOR JAMB DETAIL		
	A	02-02-19
PANEL TYPE: T-8 PlankWall ®	REV:	DATE:
	DETAIL #: T8-WSD-W12	

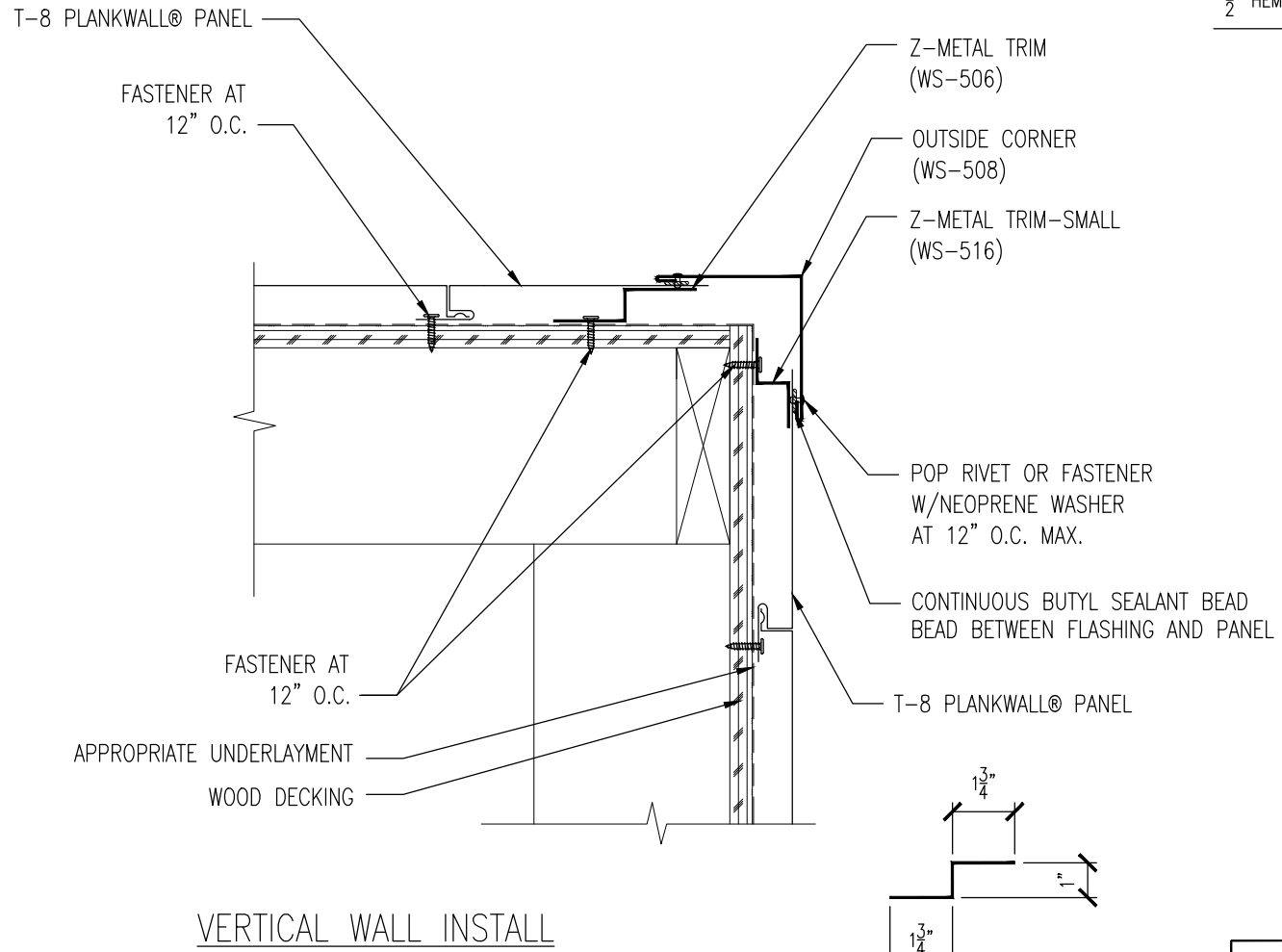


VERTICAL WALL INSTALL

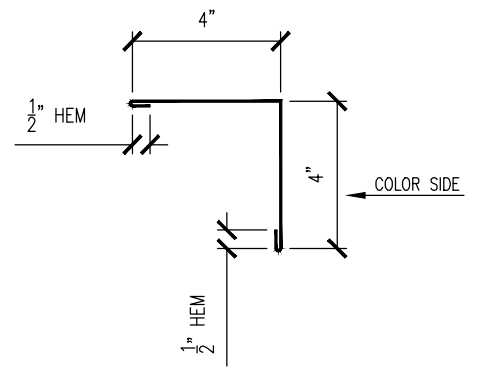
GAUGE: _____	COLOR: _____
LENGTH: _____	FINISH: _____
MATERIAL: _____	

Western States Metal Roofing
 901 W. Watkins St. Phone: (602) 495-0048
 Phoenix, AZ 85007 Fax: (602) 261-7726
 www.MetalForRoofing.com 877-PURLINS (787-5467)
 www.RustedRoofing.com
 www.PaintedRustedRoofing.com

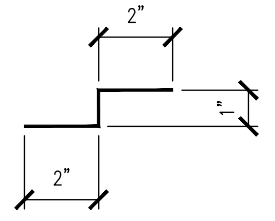
DOOR/WINDOW SILL DETAIL		
	A	02-02-19
PANEL TYPE: T-8 PlankWall ®	REV:	DATE:
	DETAIL #: T8-WSD-W13	



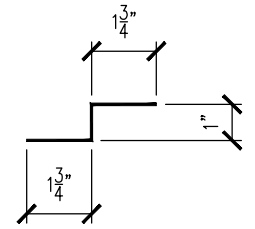
VERTICAL WALL INSTALL



OUTSIDE CORNER (WS-508)



Z-METAL TRIM (WS-506)



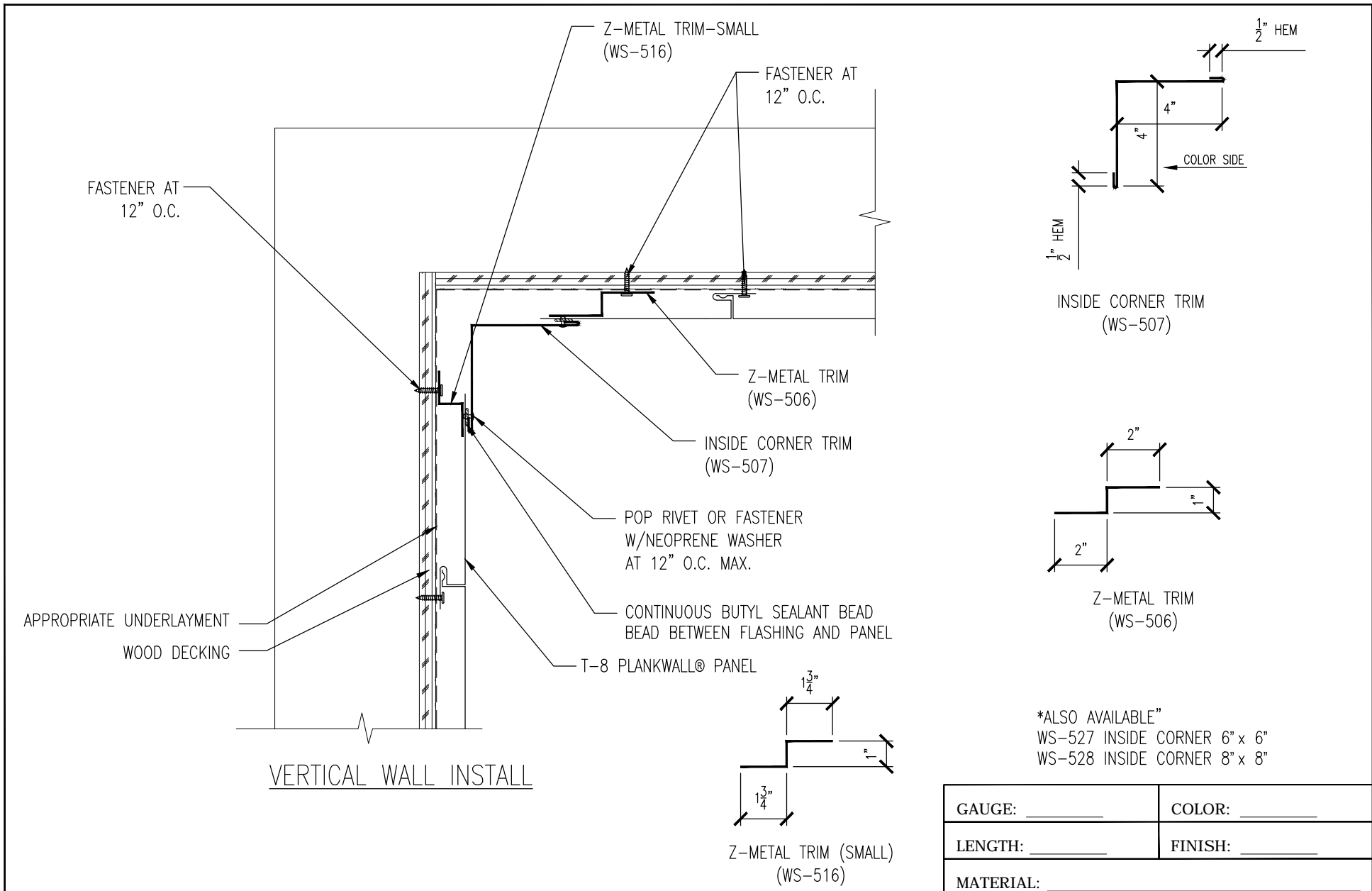
Z-METAL TRIM (SMALL) (WS-516)

ALSO AVAILABLE
 WS-525 OUTSIDE CORNER 6"X6"
 WS-526 OUTSIDE CORNER 8"X8"

GAUGE: _____	COLOR: _____		
LENGTH: _____	FINISH: _____		
MATERIAL: _____			
OUTSIDE CORNER DETAIL		A	02-02-19
		REV:	DATE:
PANEL TYPE: T-8 PlankWall ®		DETAIL #: T8-WSD-W14	

Western States Metal Roofing

901 W. Watkins St. Phone: (602) 495-0048
 Phoenix, AZ 85007 Fax: (602) 261-7726
 www.MetalForRoofing.com 877-PURLINS (787-5467)
 www.RustedRoofing.com
 www.PaintedRustedRoofing.com

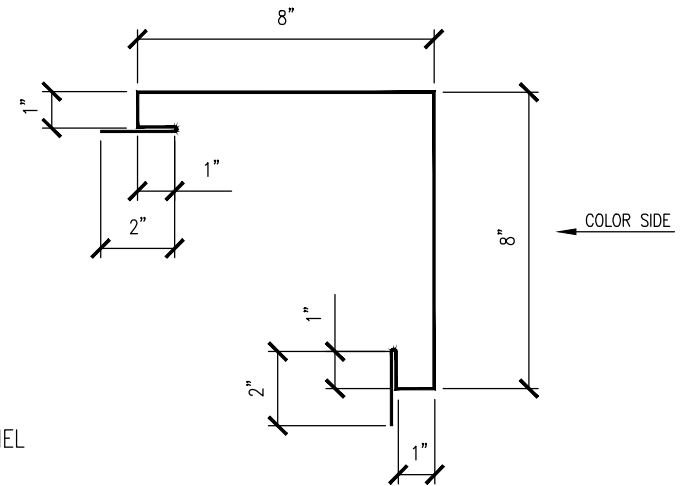
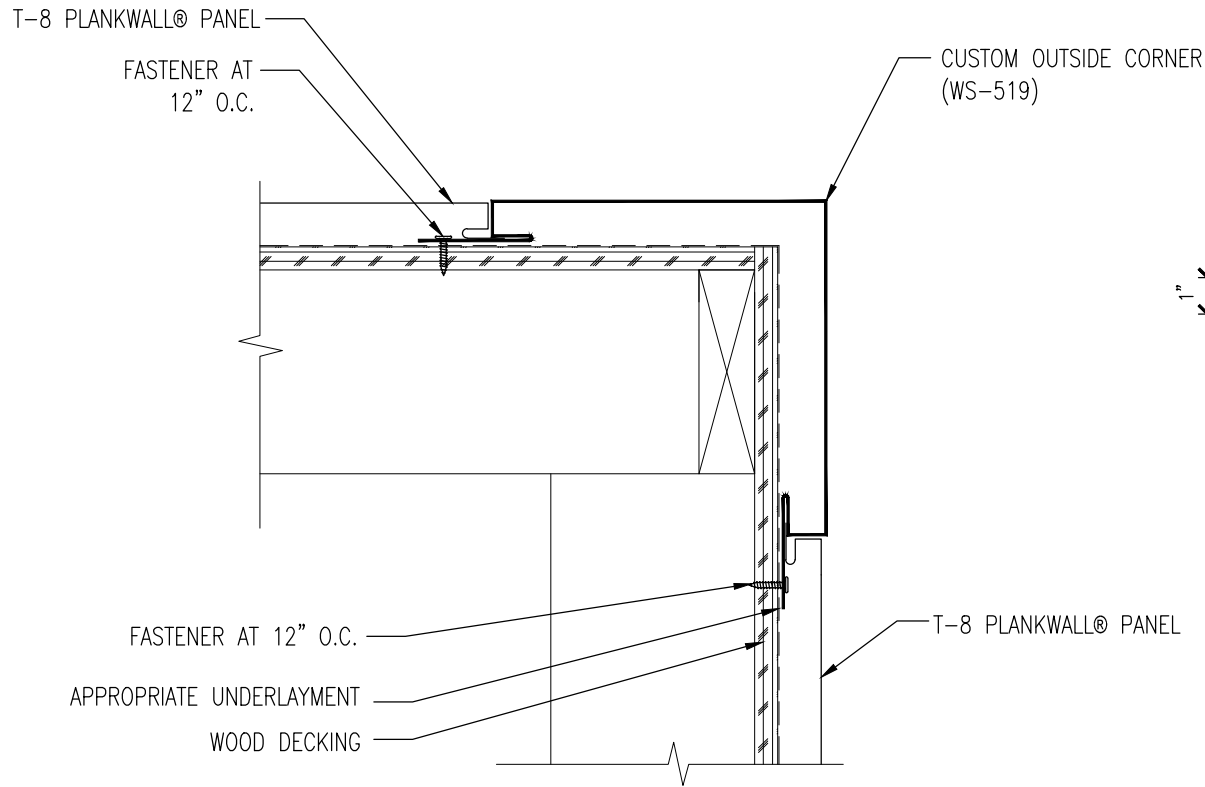


Western States Metal Roofing

901 W. Watkins St.
 Phoenix, AZ 85007
www.MetalForRoofing.com
www.RustedRoofing.com
www.PaintedRustedRoofing.com

Phone: (602) 495-0048
 Fax: (602) 261-7726
 877-PURLINS (787-5467)

GAUGE: _____	COLOR: _____	
LENGTH: _____	FINISH: _____	
MATERIAL: _____		
INSIDE CORNER DETAIL	A	02-02-19
	REV:	DATE:
PANEL TYPE: T-8 PlankWall ®	DETAIL #: T8-WSD-W15	



CUSTOM OUTSIDE CORNER (WS-519)

- WS-517 CUSTOM OUTSIDE CORNER
- WS-519 CUSTOM OUTSIDE CORNER 8"
- WS-521 CUSTOM OUTSIDE CORNER 6"
- WS-523 CUSTOM OUTSIDE CORNER 4"

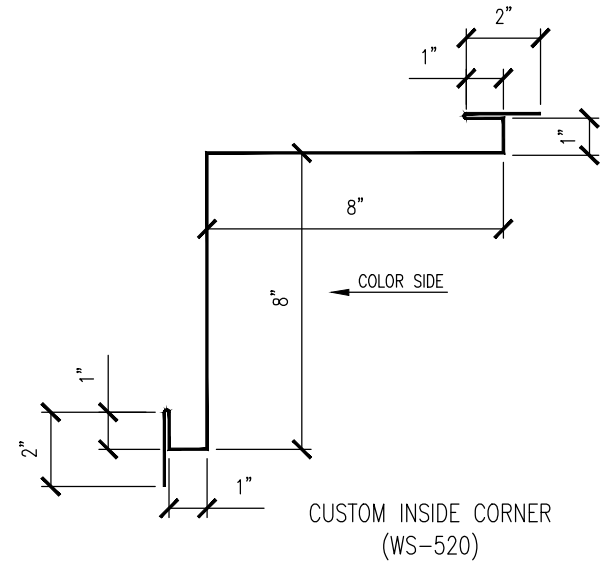
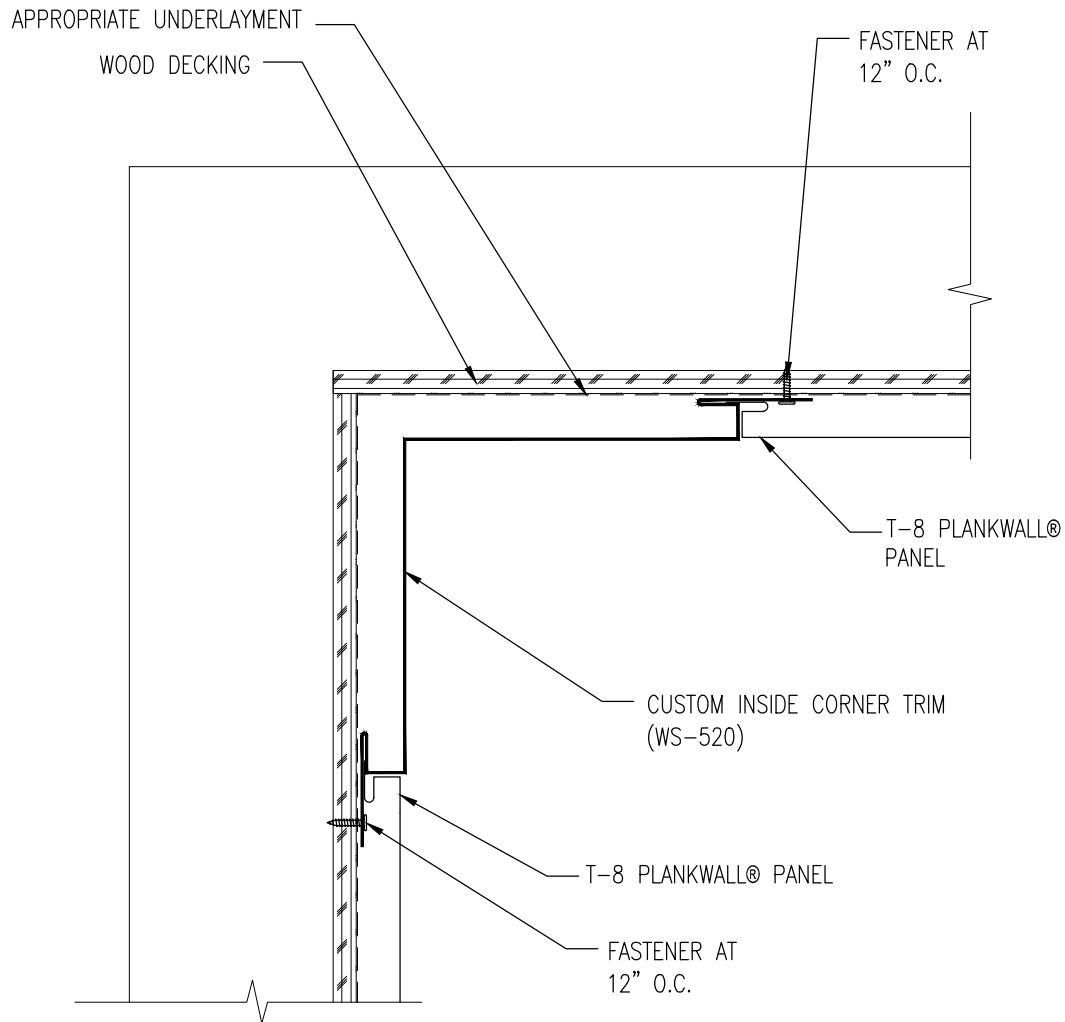
GAUGE: _____	COLOR: _____
LENGTH: _____	FINISH: _____
MATERIAL: _____	

Western States Metal Roofing

901 W. Watkins St.
 Phoenix, AZ 85007
www.MetalForRoofing.com
www.RustedRoofing.com
www.PaintedRustedRoofing.com

Phone: (602) 495-0048
 Fax: (602) 261-7726
 877-PURLINS (787-5467)

CUSTOM OUTSIDE CORNER DETAIL		
	A	02-02-19
PANEL TYPE: T-8 PlankWall ®	REV:	DATE:
	DETAIL #: T8-WSD-W16	



- WS-518 CUSTOM INSIDE CORNER
- WS-520 CUSTOM INSIDE CORNER 8"
- WS-522 CUSTOM INSIDE CORNER 6"
- WS-524 CUSTOM INSIDE CORNER 4"

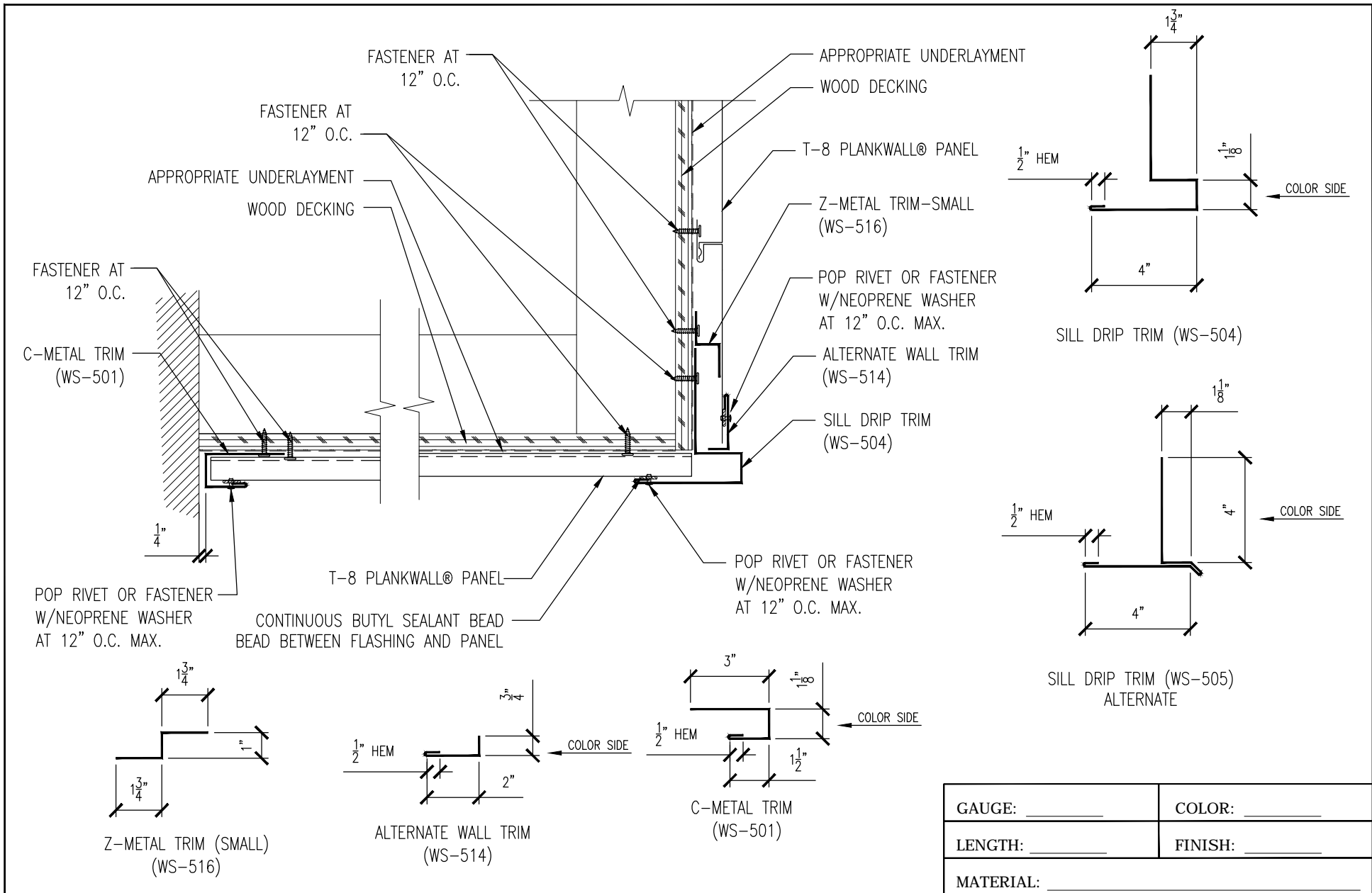
GAUGE: _____	COLOR: _____
LENGTH: _____	FINISH: _____
MATERIAL: _____	

Western States Metal Roofing

901 W. Watkins St.
 Phoenix, AZ 85007
www.MetalForRoofing.com
www.RustedRoofing.com
www.Paintedrustedroofing.com

Phone: (602) 495-0048
 Fax: (602) 261-7726
 877-PURLINS (787-5467)

CUSTOM INSIDE CORNER DETAIL		
	A	02-02-19
PANEL TYPE: T-8 PlankWall ®	REV:	DATE:
	DETAIL #: T8-WSD-W17	

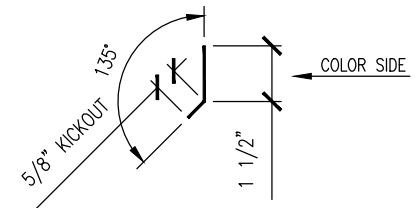
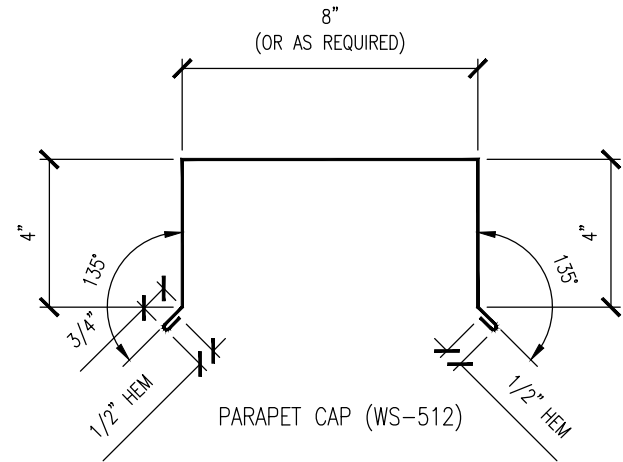
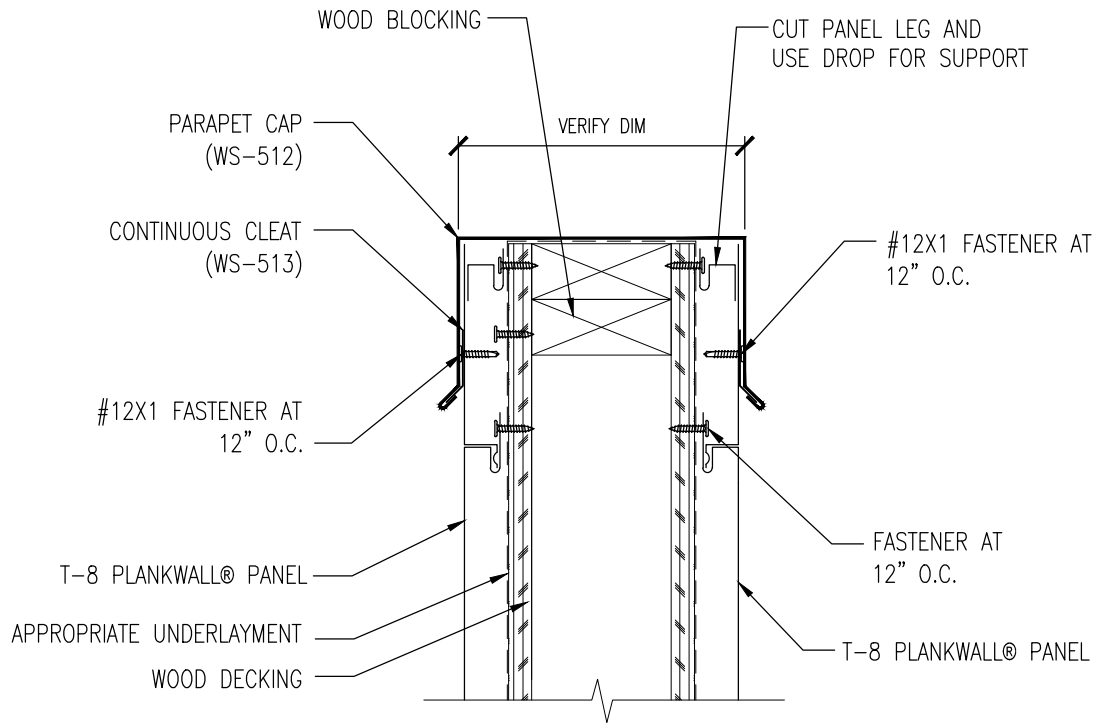


GAUGE: _____	COLOR: _____
LENGTH: _____	FINISH: _____
MATERIAL: _____	
SOFFIT TO WALL HORIZONTAL DETAIL	
PANEL TYPE:	T-8 PlankWall ®
DETAIL #:	T8-WSD-W18
REV: A	DATE: 02-02-19

Western States Metal Roofing

901 W. Watkins St.
 Phoenix, AZ 85007
www.MetalForRoofing.com
www.RustedRoofing.com
www.Paintedrustedroofing.com

Phone: (602) 495-0048
 Fax: (602) 261-7726
 877-PURLINS (787-5467)



CONTINUOUS CLEAT (WS-513)

GAUGE: _____	COLOR: _____
LENGTH: _____	FINISH: _____
MATERIAL: _____	

Western States Metal Roofing

901 W. Watkins St.

Phone: (602) 495-0048

Phoenix, AZ 85007

Fax: (602) 261-7726

www.MetalForRoofing.com

877-PURLINS (787-5467)

www.RustedRoofing.com

www.PaintedRustedRoofing.com

PARAPET WALL HORIZONTAL DETAIL

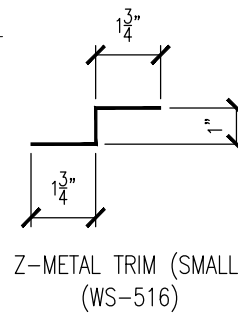
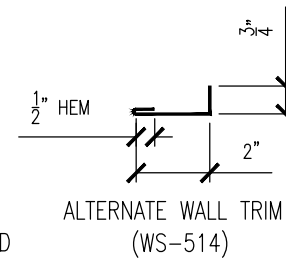
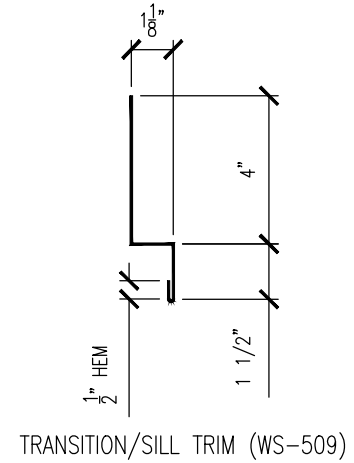
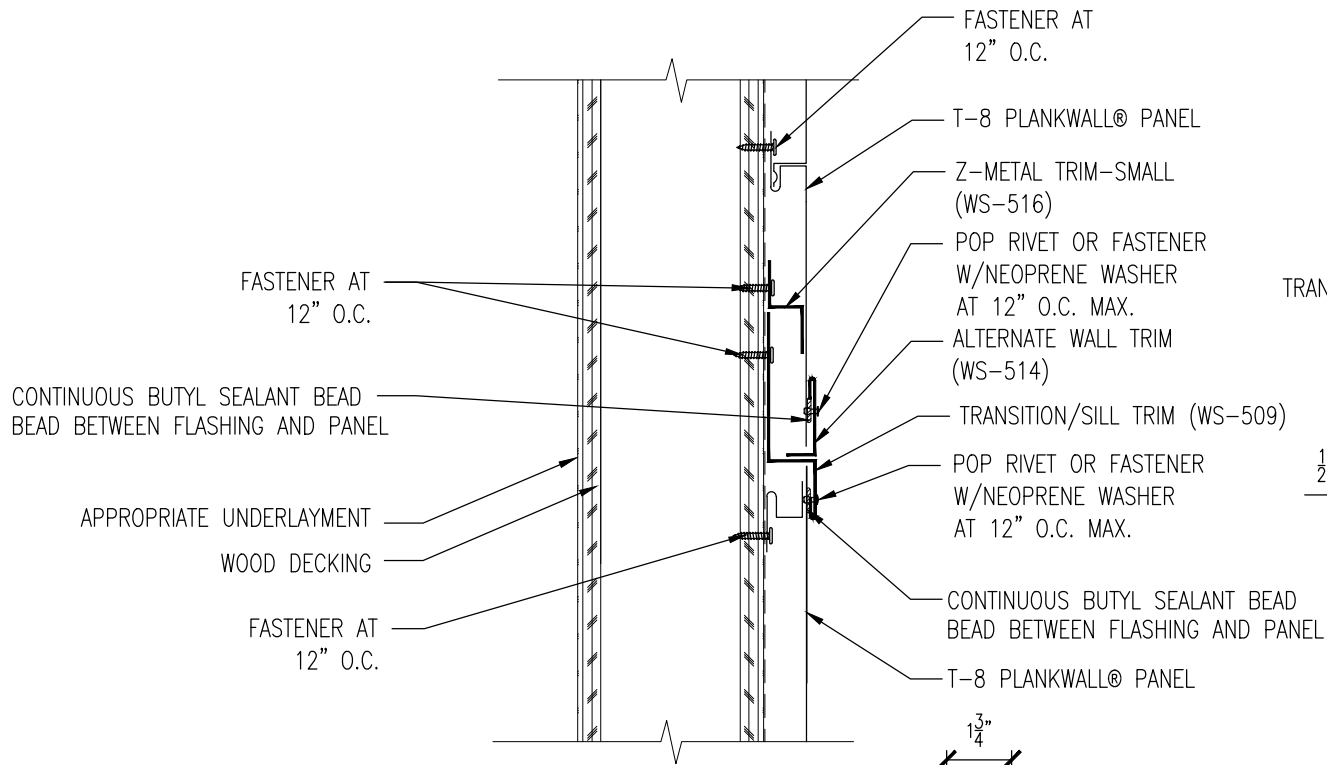
PANEL TYPE:

T-8 PlankWall ®

A 02-02-19

REV: DATE:

DETAIL #:
T8-WSD-W19

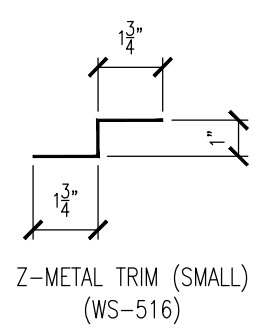
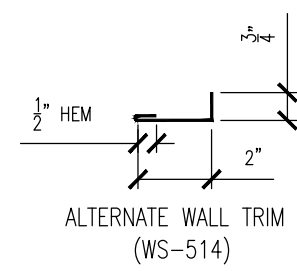
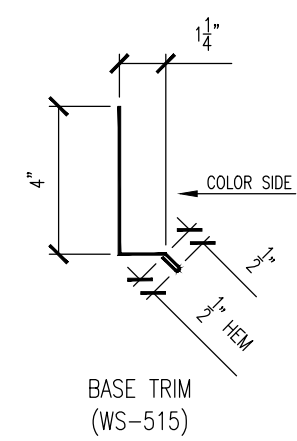
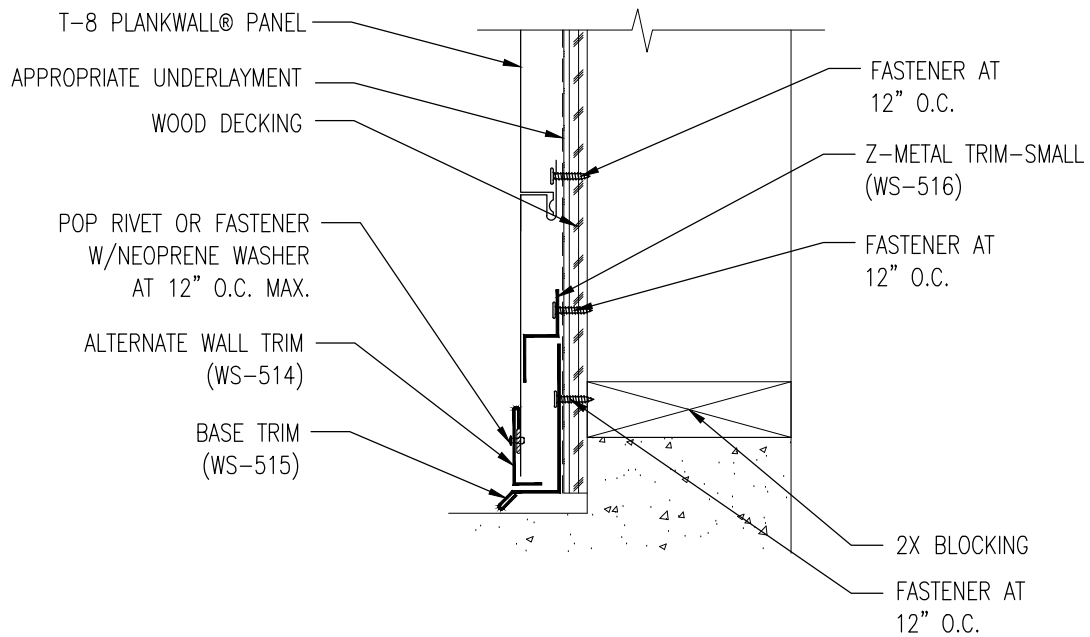


GAUGE: _____	COLOR: _____
LENGTH: _____	FINISH: _____
MATERIAL: _____	
SPLICE/SILL HORIZONTAL DETAIL	
PANEL TYPE:	T-8 PlankWall ®
DETAIL #:	T8-WSD-W20
REV: A	DATE: 02-02-19

Western States Metal Roofing

901 W. Watkins St.
 Phoenix, AZ 85007
 www.MetalForRoofing.com
 www.RustedRoofing.com
 www.PaintedRustedRoofing.com

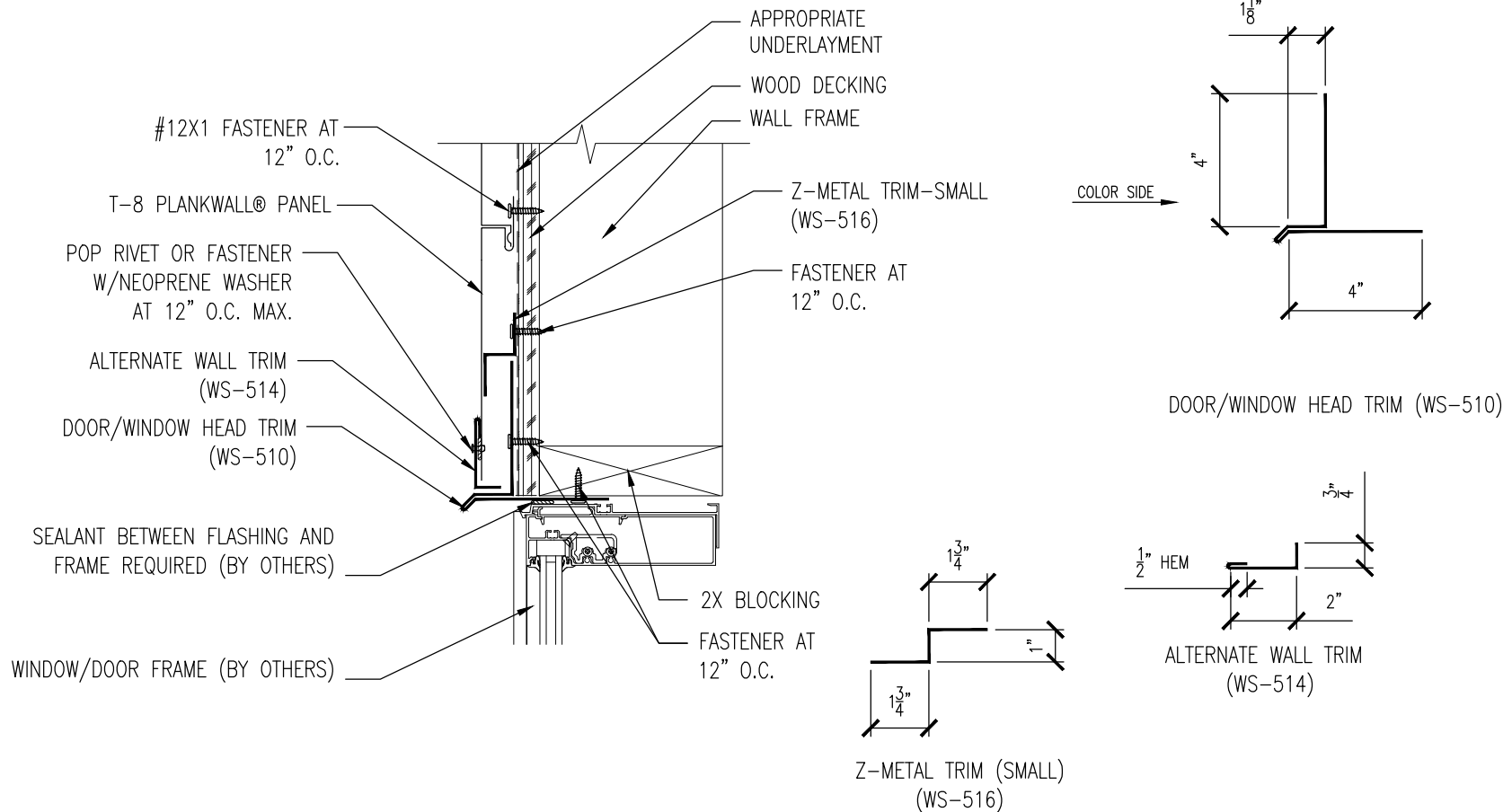
Phone: (602) 495-0048
 Fax: (602) 261-7726
 877-PURLINS (787-5467)



GAUGE: _____		COLOR: _____		
LENGTH: _____		FINISH: _____		
MATERIAL: _____				
BASE HORIZONTAL DETAIL				
			A	02-02-19
PANEL TYPE: T-8 PlankWall ®			REV:	DATE:
			DETAIL #: T8-WSD-W21	

Western States Metal Roofing

901 W. Watkins St. Phone: (602) 495-0048
 Phoenix, AZ 85007 Fax: (602) 261-7726
 www.MetalForRoofing.com 877-PURLINS (787-5467)
 www.RustedRoofing.com
 www.PaintedRustedRoofing.com

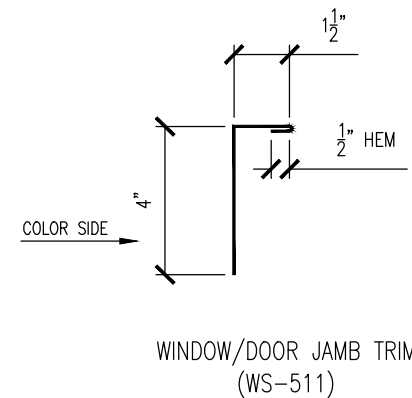
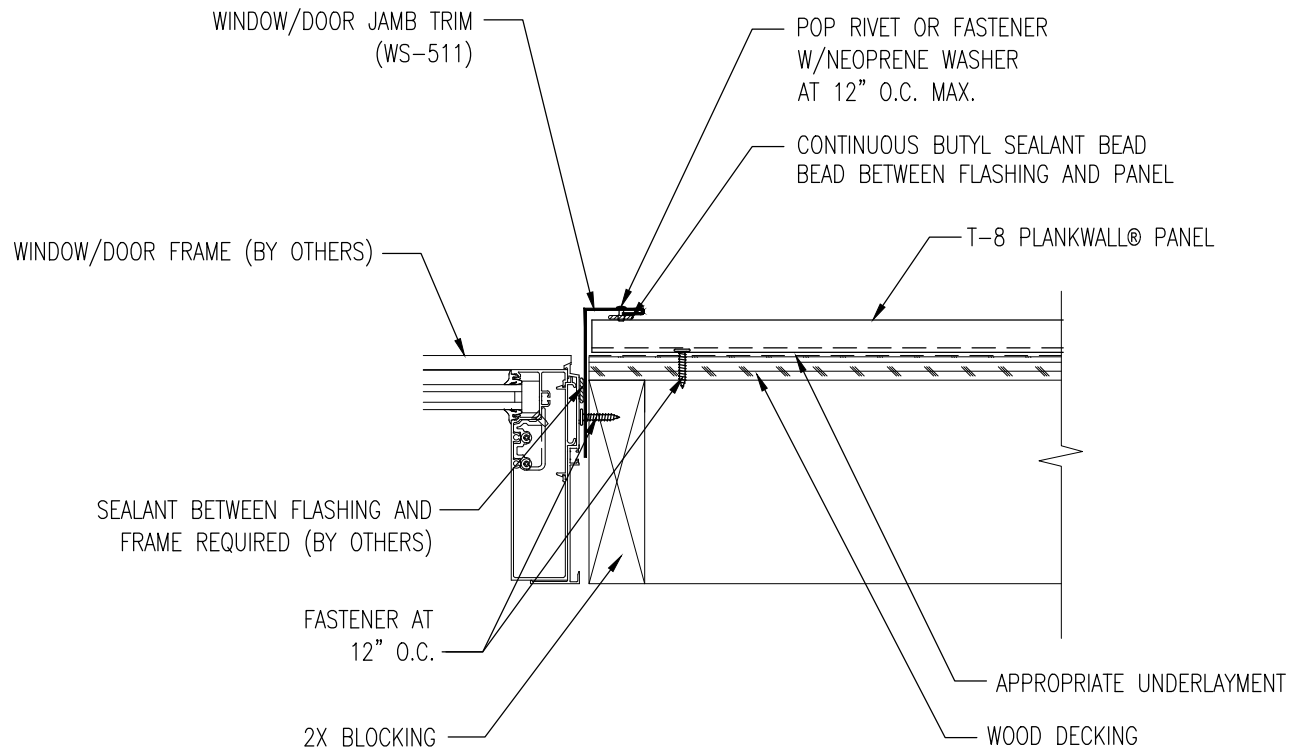


GAUGE: _____	COLOR: _____
LENGTH: _____	FINISH: _____
MATERIAL: _____	

Western States Metal Roofing

901 W. Watkins St. Phone: (602) 495-0048
 Phoenix, AZ 85007 Fax: (602) 261-7726
 www.MetalForRoofing.com 877-PURLINS (787-5467)
 www.RustedRoofing.com
 www.PaintedRustedRoofing.com

WINDOW/DOOR HEAD HORIZONTAL DETAIL		
	A	02-02-19
PANEL TYPE: T-8 PlankWall ®	REV:	DATE:
	DETAIL #: T8-WSD-W22	

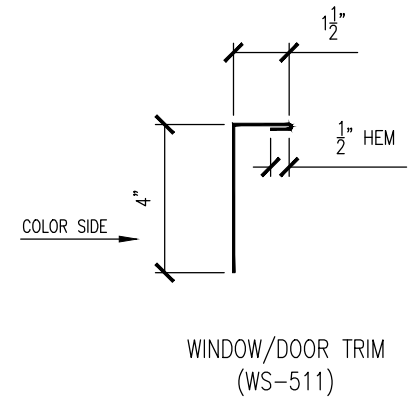
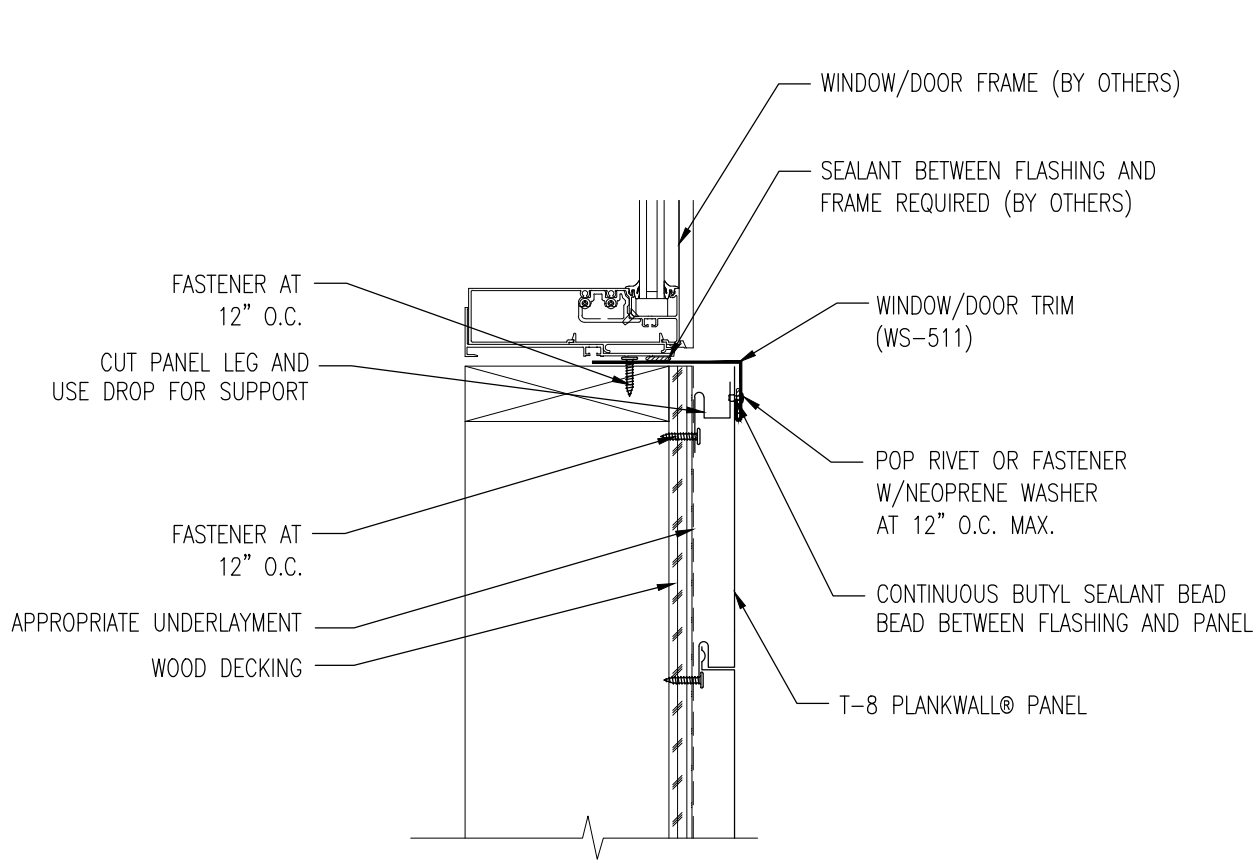


GAUGE: _____	COLOR: _____		
LENGTH: _____	FINISH: _____		
MATERIAL: _____			
WINDOW/DOOR JAMB HORIZONTAL DETAIL		A	02-02-19
		REV:	DATE:
PANEL TYPE: T-8 PlankWall ®	DETAIL #: T8-WSD-W23		

Western States Metal Roofing

901 W. Watkins St.
Phoenix, AZ 85007
www.MetalForRoofing.com
www.RustedRoofing.com
www.PaintedRustedRoofing.com

Phone: (602) 495-0048
Fax: (602) 261-7726
877-PURLINS (787-5467)

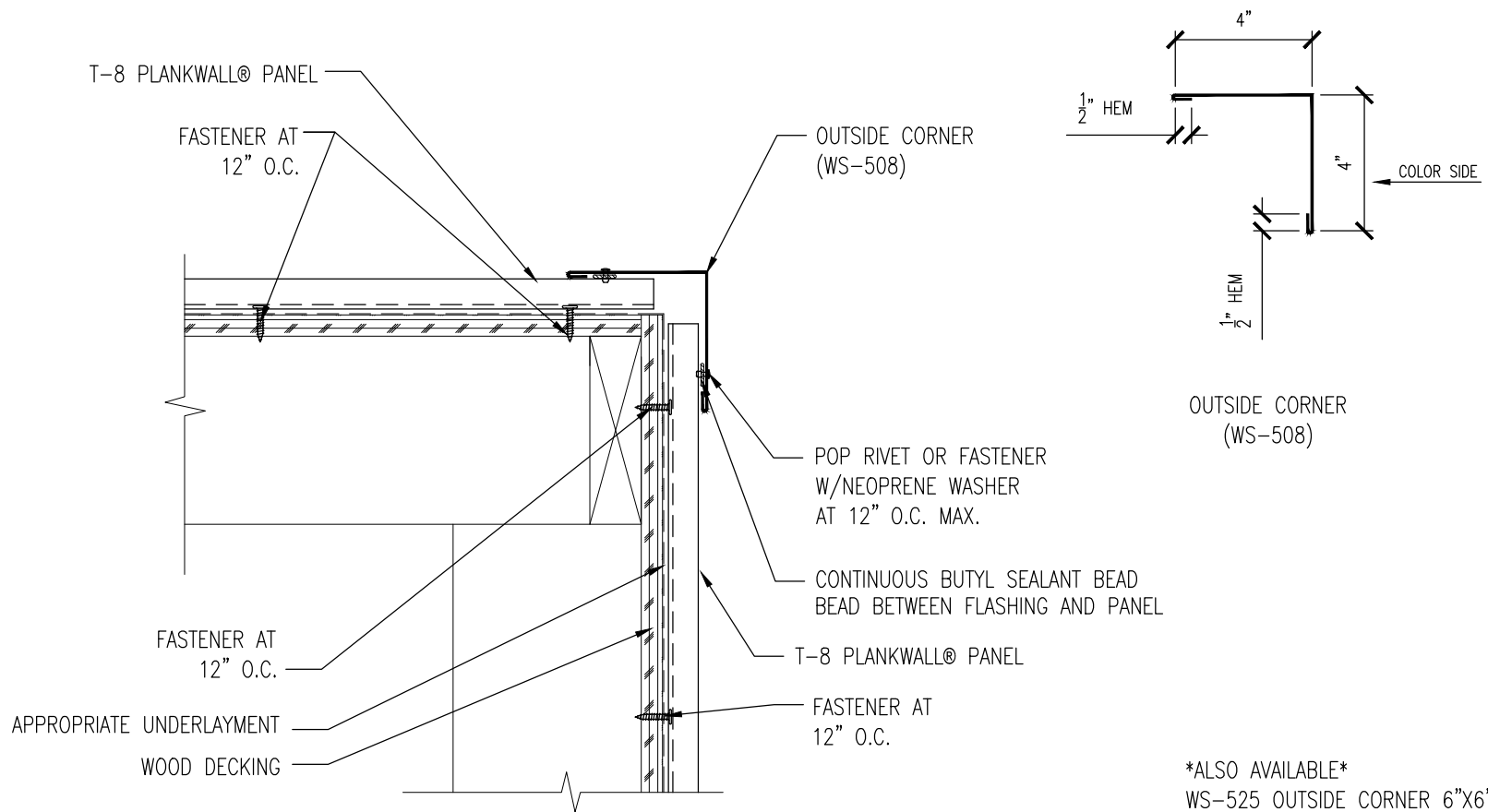


GAUGE: _____	COLOR: _____
LENGTH: _____	FINISH: _____
MATERIAL: _____	

Western States Metal Roofing

901 W. Watkins St. Phone: (602) 495-0048
 Phoenix, AZ 85007 Fax: (602) 261-7726
 www.MetalForRoofing.com 877-PURLINS (787-5467)
 www.RustedRoofing.com
 www.PaintedRustedRoofing.com

WINDOW/DOOR SILL HORIZONTAL DETAIL		
	A	02-02-19
PANEL TYPE: T-8 PlankWall ®	REV:	DATE:
	DETAIL #: T8-WSD-W24	



ALSO AVAILABLE
 WS-525 OUTSIDE CORNER 6"X6"
 WS-526 OUTSIDE CORNER 8"X8"

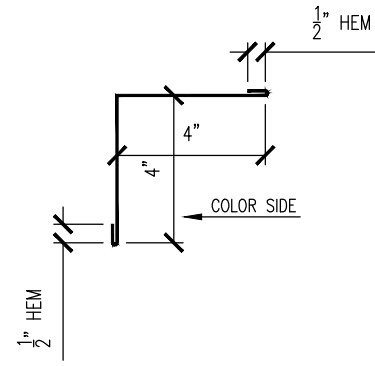
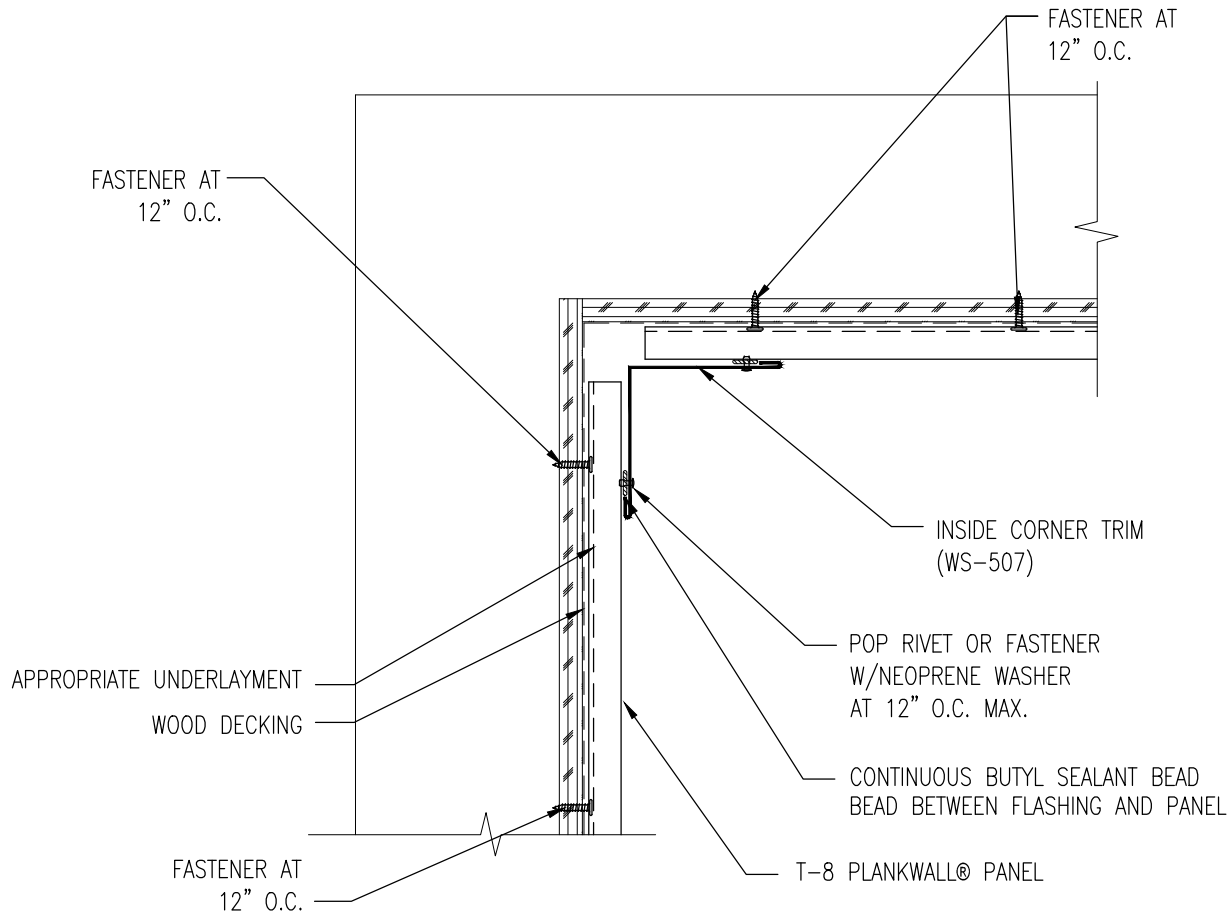
GAUGE: _____	COLOR: _____
LENGTH: _____	FINISH: _____
MATERIAL: _____	

Western States Metal Roofing

901 W. Watkins St.
 Phoenix, AZ 85007
www.MetalForRoofing.com
www.RustedRoofing.com
www.PaintedRustedRoofing.com

Phone: (602) 495-0048
 Fax: (602) 261-7726
 877-PURLINS (787-5467)

OUTSIDE CORNER HORIZONTAL DETAIL		
	A	02-02-19
PANEL TYPE: T-8 PlankWall ®	REV:	DATE:
	DETAIL #: T8-WSD-W25	



INSIDE CORNER TRIM
(WS-507)

*ALSO AVAILABLE"
 WS-527 INSIDE CORNER 6"x6"
 WS-528 INSIDE CORNER 8"x8"

GAUGE: _____	COLOR: _____
LENGTH: _____	FINISH: _____
MATERIAL: _____	

Western States Metal Roofing

901 W. Watkins St.
 Phoenix, AZ 85007
www.MetalForRoofing.com
www.RustedRoofing.com
www.PaintedRustedRoofing.com

Phone: (602) 495-0048
 Fax: (602) 261-7726
 877-PURLINS (787-5467)

INSIDE CORNER HORIZONTAL DETAIL		
	A	02-02-19
PANEL TYPE: T-8 PlankWall ®	REV:	DATE:
	DETAIL #: T8-WSD-W26	

NOTES:

Western States Metal Roofing
901 W. Watkins St. Phone: (602) 495-0048
Phoenix, AZ 85007 Fax: (602) 261-7726
www.MetalForRoofing.com 877-PURLINS (787-5467)
www.RustedRoofing.com
www.Paintedrustedroofing.com

NOTES

PANEL TYPE:
T-8 PlankWall ®

A	02-02-19
REV:	DATE:
DETAIL #: T8-WSD-MN27	

CUSTOM TRIM

GAUGE: _____	COLOR: _____	
BREAKS: _____	FINISH: _____	
LENGTH: _____	STRETCH OUT: _____	
MATERIAL: _____		
CUSTOM TRIM NAME: _____		
	A	02-02-19
PANEL TYPE: T-8 PlankWall ®	REV:	DATE:
	DETAIL #: T8-WSD-CT28	

Western States Metal Roofing

901 W. Watkins St. Phone: (602) 495-0048
 Phoenix, AZ 85007 Fax: (602) 261-7726
 www.MetalForRoofing.com 877-PURLINS (787-5467)
 www.RustedRoofing.com
 www.Paintedtrustedroofing.com

Western States Metal Siding "T-8 PlankWall®" Panel

Installation, Flashings & Shop Drawing Detail Guide

Special Design Considerations

The details contained in this guide are proven industry details and are intended to be used as a design aid and installation guide. It does not depict all situations that may be encountered on all projects. Modifications are the responsibility of the designer/ owner/ installer. Consideration should be given for fit for purpose, building use, climate conditions such as temperature, snow, wind, and moisture, governing building codes, and maintenance. It is highly recommended that all trims and flashings be of the same material as the panels (metal, gauge, finish) to ensure long term performance and durability. Where possible, flashing edges should be hemmed to strengthen the edge and protect the cut edge from exposure.

Acceptance

Use of this manual is strictly voluntary. Details that are provided are to be used as a guide only. Details may not be applicable for all situations. This guide provides one standard detail and WSMR accepts that other installation details may be needed and other details may exist. WSMR makes no guarantee as to the weather tightness of the system or details found with in this guide. The information in this manual is believed to be correct and accurate at the time of printing. WSMR reserves the right to change details, discontinue products, change designs at any time without incurring obligation. It is best to consult your design engineer for recommendations. Please visit WSMR website at www.Metalforroofing.com for most current and up to date install guides.

Underlayment

There are many types of underlayments on the market today that are all designed with a special purpose depending on the type of metal and profile. Many different types of metal will require a different type of underlayment, such as A606-4 (Corten), which requires a high temperature underlayment. It is best to consult your design engineer for recommendations.

Snow Design

Design and dimensions must be the proper width to accommodate high snow, rain, ice, and slope conditions. If possible, splices, penetrations, should be minimized in areas of high snow and ice accumulations. Details found in this manual may not pertain in areas of high snow and ice accumulations.

Panel coverage and fastening

Normal panel width of T-8 PlankWall® panels are 8". However depending on the finish selected and the required coil feed, other sizes may be available. Please consult with your WSMR representative for details and fastening recommendations.

Safety and Maintenance

Extreme care should always be used when working with metals. Safety should always be a top priority and approved fall protection and equipment as approved by OSHA should always be used. No structure is immune to severe weather, or is completely maintenance free. To keep your siding performing as it was designed, an inspection and comprehensive maintenance program should be implemented.

References

For other installation techniques and details, The Sheet Metal and Air Conditioning Contractors National Association Inc. (SMACNA) and NRCA manuals are great resources for working with sheet metal.

Technical Assistance

Contact your WSMR sales or technical representative for any additional information or assistance. To insure you have the latest information available, please inquire or visit our web sites at www.Paintedtrustedroofing.com



Finishes You've Never Seen Before®

WESTERN STATES METAL ROOFING

(877) 787-5467 • WESTERNSTATESMETALROOFING.COM

REQUEST A FREE METAL COLOR SAMPLE • Affordable Delivery throughout USA, Canada, and Mexico

Phoenix: 901 W Watkins St., Phoenix, AZ 85007

☎ (602) 495-0048

✉ sales@westernstatesmetalroofing.com

Tucson: 4975 E. Drexel Rd., Tucson, AZ 85706

☎ (520) 574-4247

✉ tucsonsales@westernstatesmetalroofing.com

Texas: 15023 County Rd 545, Nevada, TX 75173

☎ (972) 843-4343

✉ texas-sales@westernstatesmetalroofing.com

Washington: 3610 N. Barker Rd. STE C Spokane Valley, WA 99027

☎ (509) 418-2833

✉ washington-wsmr@westernstatesmetalroofing.com



www.facebook.com/westernstatesmetalroofing/



www.instagram.com/westernstatesmetalroofing/



www.twitter.com/weststatesmetal



www.youtube.com/westernstatesmetalroofing



www.linkedin.com/company/western-states-metal-roofing



www.pinterest.com/westernstatesmetalroofing/



www.houzz.com/pro/raynaann/western-states-metal-roofing